

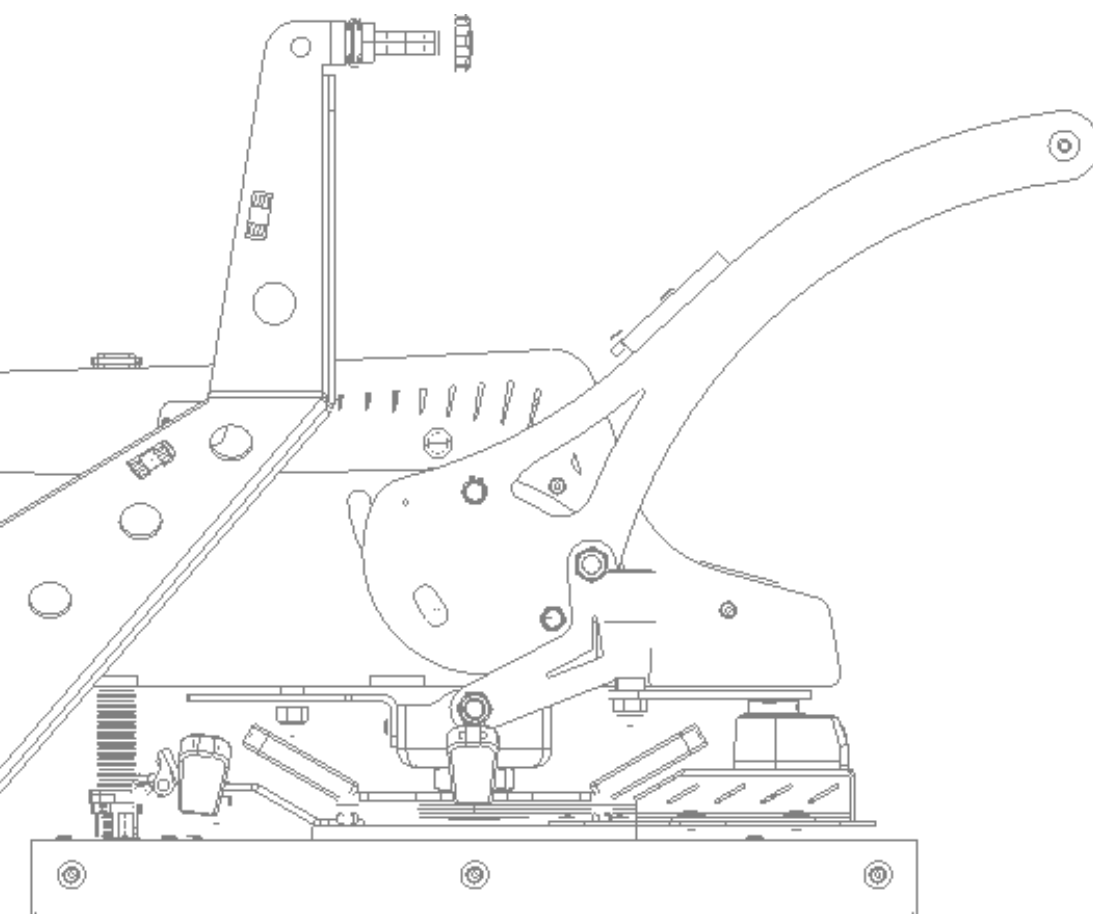


HEAT TRANSFER TECHNOLOGIES



User guide
Manuel utilisateur
Guía del usuario
Benutzerhandbuch

ENGLISH
FRANÇAIS
ESPAÑOL
DEUTSCH



ROTEX V3
SERIES

INDEX

INDEX	3
WARRANTY TERMS	4
TECHNICAL DATA.....	5
OVERVIEW	6
SAFETY	7
OPERATION.....	8
SMART TOUCH ® CONTROL SCREEN	11
SERVICING	15
TROUBLESHOOTING TIPS	16
CONDITIONS DE GARANTIE.....	18
CARACTERISTIQUES	19
GENERALITES.....	20
SECURITÉ.....	21
UTILISATION	22
ÉCRAN DE CONTROLE SMART TOUCH ®.....	25
MAINTENANCE.....	29
CONSEILS D'INTERVENTION RAPIDES.....	30
CONDICIONES DE GARANTÍA.....	32
CARACTERÍSTICAS	33
ASPECTOS GENERALES	34
SEGURIDAD	35
UTILIZACIÓN.....	36
PANTALLA DE CONTROL SMART TOUCH ®.....	39
MANTENIMIENTO	43
CONSEJOS DE INTERVENCIÓN RÁPIDA.....	44
GARANTIEBESTIMMUNGEN.....	46
TECHNISCHE DATEN	47
ALLGEMEINES.....	48
SICHERHEIT	49
VERWENDUNG	50
SMART TOUCH ® BEDIENDISPLAY	53
WARTUNG.....	57
RATSCHLÄGE FÜR SCHNELLE EINGRIFFE.....	58
SPARE PARTS.....	60
WIRING DIAGRAM.....	61
MAINTENANCE LOG	62

English

Français

Español

Deutsch

WARRANTY TERMS

The warranty period shall come into effect on the day on which the equipment is brought into service at the user's premises, as attested on the returned warranty certificate and the delivery note, and shall run for two years, based on a standard equipment operating schedule of 8 hours per day, i.e. 3,000 hours.

The warranty is strictly limited to our equipment, and covers faulty materials and workmanship, which the purchaser shall be required to substantiate. Our liability shall be limited to making good or replacing free of charge parts that are acknowledged by us to be defective, and no claims for damages for any reason may be made against us.

Parts replaced under warranty shall:

- Remain our property
- Be invoiced on consignment

A credit note will be issued upon return of the faulty parts.

Returns must be made **NO LATER THAN ONE MONTH** after the work is performed under warranty.

THIS WARRANTY DOES NOT COVER :

Commercially sourced consumables such as:

- Fuses, LEDs, seals, hoses, nozzles, filters, etc.
- Material and equipment not manufactured wholly by us, which are covered by the warranty of the manufacturer thereof.

THIS WARRANTY DOES NOT EXTEND TO :

Replacements or repairs arising from fair wear and tear of the appliances or machines, damage or accidents arising from negligence, lack of supervision or maintenance, improper use or alterations made without our written consent.

Defects arising from material provided by the purchaser or mandatory design requirements issued by the purchaser.

Repairs made necessary by damage or accidents arising during carriage.

Normal maintenance and adjustment procedures required during use of the machine, as set out in the maintenance instructions, such as:

- adjustment of intermediate components
- tightening of pipes, hoses, etc.



Any traces of detergent oil in the air system of pneumatic machines shall invalidate the aforementioned warranty terms.

Quote the machine reference and serial number when making technical enquiries or ordering spare parts.

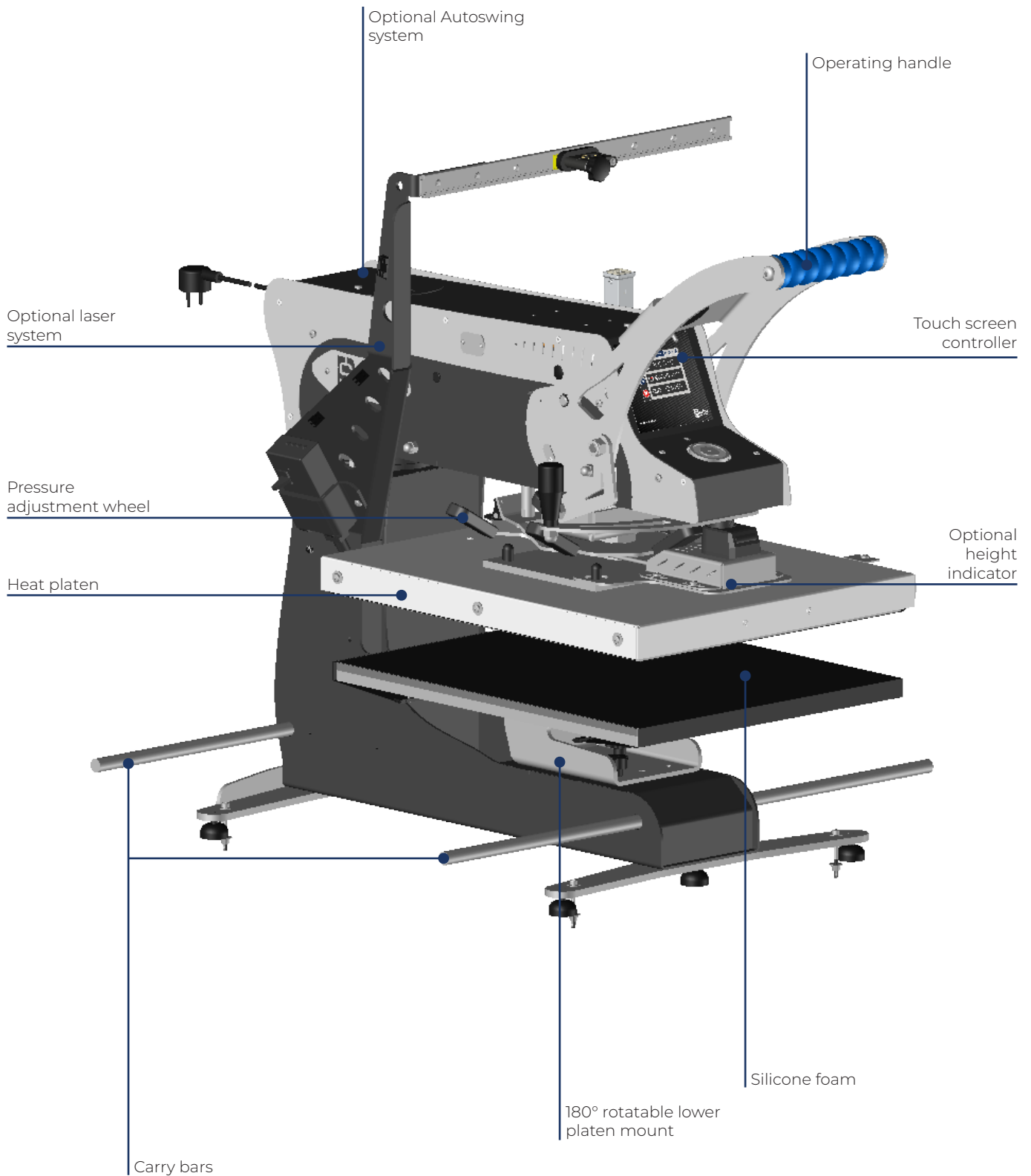
TECHNICAL DATA

Technical data	
Weight in working order	68 kg
Height	674 mm
Depth	947 mm
Width	569 mm
Platen size	400 x 500 mm
Power supply	220/240 V single phase + ground 50/60 Hz
Power consumption	Pro : 3200 W / Lite - One : 2500 W
Amp rating	Pro : 14 A / Lite - One : 11 A
Power supply (US version)	110/120 V single phase + ground 50/60 Hz
Power consumption (US version)	1750 W
Amp rating (US version)	16 A
Electronic temperature controller	
Accuracy	+/- 1%
Setting range	0 °C - 220 °C
Electronic timer	
Accuracy	+/- 1%
Setting range	0 s - 59 min 59 sec
Operating conditions	
Noise level	< 70 dB (A)
Ambient operating temperature	10 °C - 35 °C
Humidity	< 90%
Maximum pressing force	590 g/cm ²

Non-contractual document : we reserve the right to alter our product specifications in line with advances in technology.

OVERVIEW

This heat press has been designed to operate at high output without risk to operator safety in accordance with article L 233-5 of the French labour code. It has been designed for use by a single operator positioned in front of the machine.



SAFETY

Please read the Operating Manual carefully before operating the press. The press should be operated by a qualified person who is aware of the potential dangers arising from improper use of the equipment. The factory-installed pneumatic, electrical and mechanical settings programmed by our technicians and the safety features must not be altered under any circumstances. SEFA accepts no liability for problems that may be caused by the machine if such alterations are made.

THIS MACHINE IS DESIGNED FOR USE BY A SINGLE QUALIFIED OPERATOR

a. International symbols



b. Important safety precautions

Personal Protective Equipment (PPE) must be worn (e.g. gloves and safety glasses).

Do not touch hot parts of the machine during use. Do not place hands between the platens when the machine is switched on. Make sure the operator is not exposed to risks of burns, electrocution or other hazards when handling the machine.

Check the machine each day before use. Make sure there is nobody in the vicinity of the machine before starting work. If the machine malfunctions, cut the power supply and look for the cause of the problem (see the Servicing section of this manual).



c. Safety features

No changes must be made to the safety covers and safety systems. They must be refitted if they are removed for servicing work. They must be kept in place and in good condition during normal use. Technical parts documents are supplied with the machine. Please read them before starting to use your SEFA machine.

OPERATION

a. Setting up the machine

TO BE PERFORMED BY QUALIFIED PERSONNEL



DO NOT CARRY THE MACHINE BY THE PLATES



Cut the packing straps and undo the cover and dome retaining screws.

Remove the cover and then the dome from the case.

Remove the plastic bag from the machine.

Remove the anchor bolts securing the machine to the pallet.

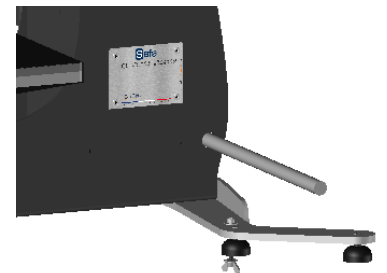
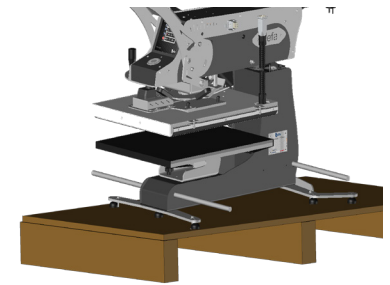
With the packaging removed, take off the safety screw using the 4 mm Allen key provided.

Use the carry bars to carry the machine and attach it to a stable, level table.

Fit and secure the lower platens in place if they are not already installed.

Remove the carry bars and store them with the packing case for future use.

Fit the leg extension before removing the safety screw/packaging.



b. Switching on

Plug in the machine using the power lead provided. Press the switch at the back of the arm to «I».

The control panel page will be displayed on the touch screen.

This machine must be used by qualified personnel.

Switching on the machine turns on the temperature control, electronic board and electrical power supplies.

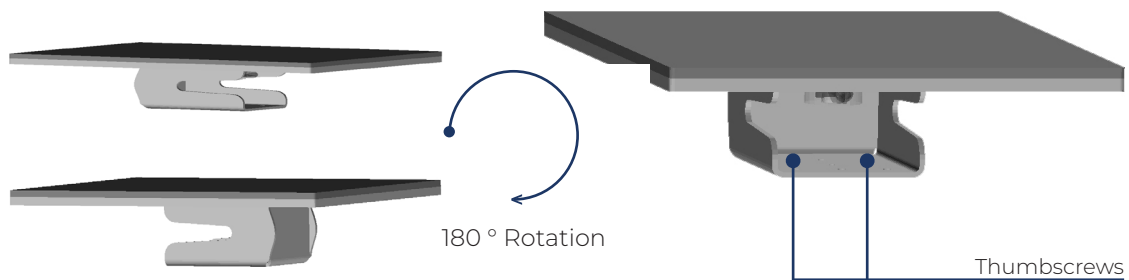


c. Selecting a working direction

This press is fitted as standard with a lower platen mount that pivots through 180° so that you can thread the workpieces on from the front or back.

To fit the mount the other way:

- Undo the 2 thumbscrews between the mount and the lower platen.
- Turn the mount around 180°.
- Tighten the 2 thumbscrews underneath the lower platen



d. Setting the height of the heat platen

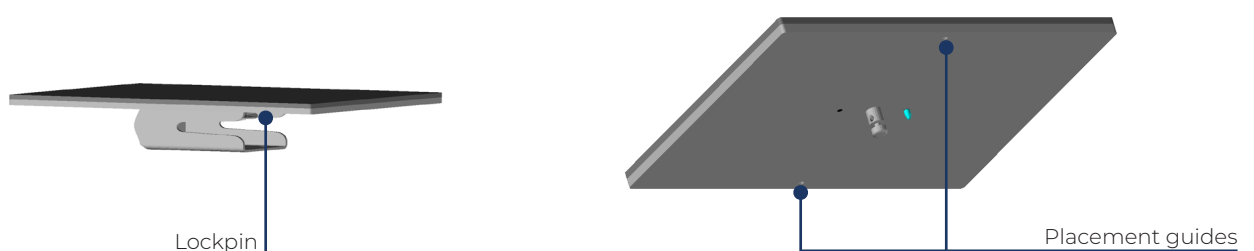
The pressure applied by the heat platen can be altered to suit operator requirements. The cold platen can also be fully lowered to leave a gap between the two platens (maximum distance in the working position: 17mm).

1. Release the latch.
2. Turn the adjustment wheel clockwise to lower the heat platen (and increase the pressing force).
3. Turn the other way to reduce the pressure.
4. An optional position indicator shows the height and therefore the pressure setting.
5. Re-attach the latch once the pressure has been adjusted.



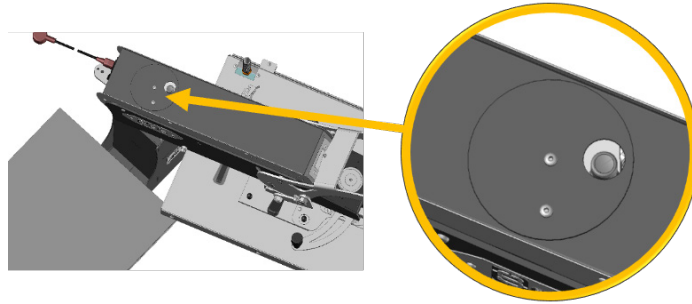
e. Changing the work platen

There are two placement guides on the underside of the lower platen to place your hands on and make the platen easier to lift off for changing.



f. Auto-swing (pro version)

1. Pivot the head of the machine as far as it will go to the right
2. Enable the auto-swing system by turning the cover and pressing the button.
3. Disable the auto-swing system by pivoting the head of machine as far as it will go to the right, turning the cover and pressing the button.



g. Operating cycle

Rotex One

1. Place the work item on the lower platen.
2. Position the transfer sheet correctly.
3. Move the arm over the platen you are working on.
4. Lower the heat platen by the handle.
5. The timer will start when the heat platen is lowered.
6. The press will emit a signal when the timer has finished.
8. Raise the heat platen manually by the handle.
9. Move the arm away from the work platen.
10. Repeat from step 1 above.

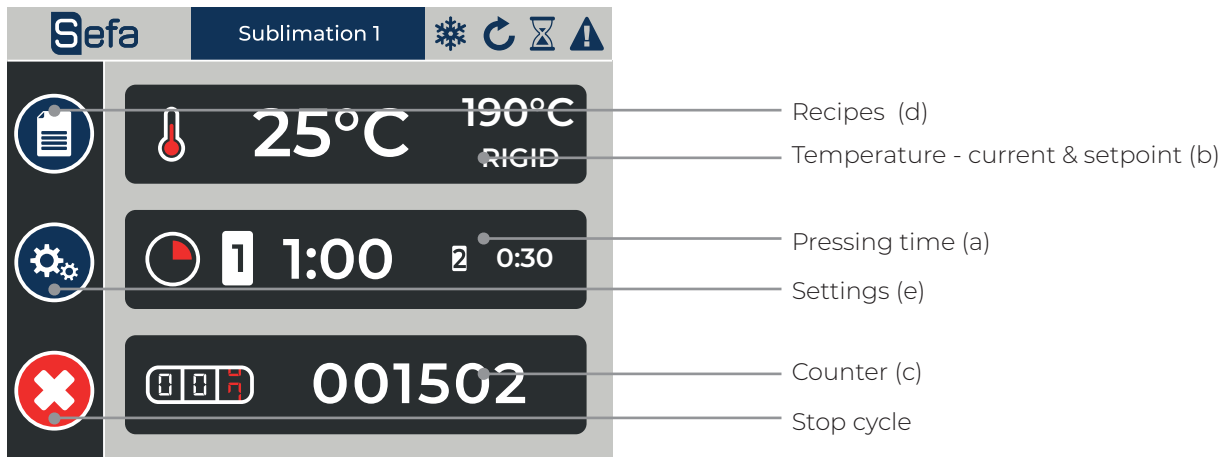
Pressing the on-screen stop button during a cycle will stop the cycle.

Rotex Lite / Pro

1. Place the work item on the lower platen.
2. Position the transfer sheet correctly.
3. Move the arm over the platen you are working on.
4. Lower the heat platen by the handle.
5. The timer will start when the heat platen is lowered.
6. The press will emit a signal when the timer has finished.
8. The heat platen will lift open automatically.
9. Move the arm away from the work platen (automatic on Pro version).
10. Repeat from step 1 above.

Pressing the on-screen stop button during a cycle will stop the cycle.

SMART TOUCH ® CONTROL SCREEN



a. Pressing time

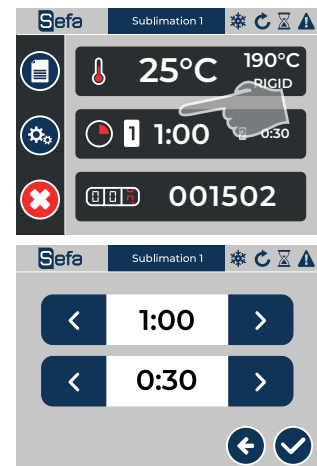
Press here to set the machine's pressing time.

Use the left and right arrow keys to increase and decrease the setting.

You can also have 4 consecutive pressing times (cf. "settings (e)") on single-platen presses and up to 4 times for dual-platen presses.

You can also change this setting by pressing the time display and entering the required time from the touch pad (4 characters must be entered).

Once you have entered the required time, press the "confirm" key in the bottom right corner of the screen.



b. Temperature settings

Press the temperature menu. You can select the temperature you require in the same way as for the pressing time, using the arrow keys on the left and right of the temperature display. You can also click on the reading and manually select a temperature. When entering a temperature below 100°C, place a 0 before the desired value (e.g. 090° C).

Select the material profile you wish to press from the 3 options provided (TEXTILE, RIGID and DTG) and press the confirm icon.



c. Item counter

This menu shows how many items the machine has printed. When you click on this icon, two counters are displayed.

The first counter shows the partial count. It can be reset to zero by pressing the arrow to its right.

The second counter shows the total number of items printed since the machine was installed. This count is permanent and cannot be reset.



d. Recipes

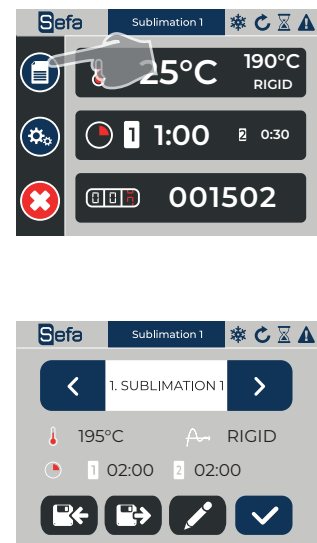
Pressing the Recipes icon brings up the menu shown opposite.

Use the left and right arrows to select one of the 5 pre-configured recipes. To use a recipe, press the floppy disk icon with the arrow pointing to the right. Once selected, press the home icon in the bottom right corner to return to the main menu.

To create or alter a recipe, you must first set the time and temperature from the main screen and then select a memory slot (1 to 5) from the recipe screen.

To rename a recipe, press the pencil icon. Give your recipe a name and press the arrow in the bottom right corner to confirm.

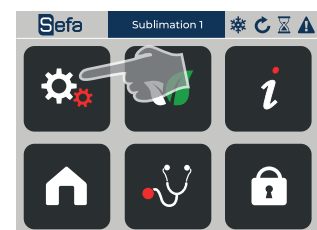
To finish, press the floppy disk icon with the arrow pointing to the left to save your choice/setting.



e. Settings

Press icon (e) in the main menu to go to the machine settings. There are 6 available options.

The gear wheel button lets you change the machine's technical aspects.





- Lets you choose whether the machine emits a sound each time the touch screen is used.
- Lets you enable or disable an alarm when the pressing time is complete.
- Lets you choose the unit of temperature : Celsius or Fahrenheit.
- Lets you enable another timer for the pressing time. With this option enabled, you can alter 2 times in the pressing time menu.
- The left arrow takes you back to the previous menu. The right arrow takes you to other settings.
- The setting in the top left corner shows that the machine is pressing within the set temperature range. This range can be set by pressing the icon and entering the 2 required temperatures. A non-locking warning will be displayed. It will be ignored during the 2nd pressing and allows the work continue even if the setpoint is not reached.
- The setting at the top right lets you adjust the screen brightness.
- The left arrow takes you back to the previous menu.

f. Other settings

The green leaf icon is used to set energy-saving mode.

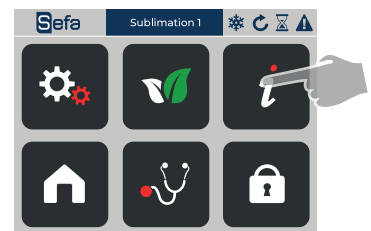
The operator can use two energy-saving modes :

- Hibernate
 - ▶ Hibernate start time
 - ▶ Heating restart time
- Sleep
 - ▶ Sleep temperature (40°C (104°F) to 140°C (284°F))
 - ▶ Idle time before sleep mode

The board will only switch to eco mode if it is on the home screen. If the user leaves the press on another screen, the screen is presumed to be in the process of being altered. Simply touch the screen or start a cycle to exit energy-saving modes that are currently running.



The “i” at the top right provides key information about the software version and SEFA contact details.




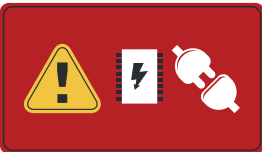
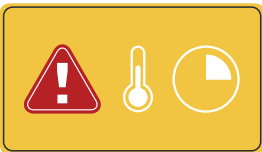


The diagnostic button brings up the machine status so you can see if there are currently any malfunctions. If there are, contact your distributor support department.



The last icon is home, which takes you back to the machine’s main menu.

g. List of alarms / events

Alarm 01: Probe PT100		Probe signal lost (sensor or cable). The heating control is instantly disabled.
Alarm 02: Overheating Temperature above 220°C		Temperature reading above 230°C. The heating control is instantly disabled.
Alarm 06: Platen lift		The top travel limit is not read during the lift phase before the platen lift time-out ends.
Alarm 10: Communication error		Communication lost between power board and screen board. Contact your stockist.
Alarm 13: Temperature not reached.		Blocks first cycle start request. Permits cycle start at second request (forced start despite setpoint not being reached).

Press the red/orange area to clear the fault.

SERVICING

TO BE PERFORMED BY QUALIFIED PERSONNEL

THE MACHINE MUST BE SWITCHED OFF AND LOCKED AND TAGGED PRIOR TO SERVICING (ELECTRIC AND PNEUMATIC POWER SOURCES DISCONNECTED)

The following tools should be available at hand:

- Phillips and flat-blade screwdrivers
- Set of open-ended spanners and box spanners
- Set of Allen keys
- Multimeter

a. Replacing worn parts

- Silicone foam pads

Check that the platen is cold.

Make sure the surface of the platen is clean.

The surface can be cleaned using soapy water. Suitable personal protective equipment must be worn.

Use RTV-1 glue to stick the foam pad to the aluminium platen (NB: read the instructions for use on the packet).

The pad and the platen must be clean and dry before they are stuck together.

Apply a thin layer of glue evenly over the platen and then stick the pad immediately into place, making sure there are no air bubbles trapped between the platen and the pad (e.g. a notched tile adhesive comb).

Leave to set overnight at room temperature with a slight pressure applied and the platen cold.

- For other parts, contact your stockist to determine whether they need to be renewed or repaired.

b. Maintenance

SEFA heat presses are practically maintenance-free. Follow the preventive maintenance instructions below to ensure trouble-free operation:

Do not heat items that could perish or score the silicone pad or damage the heat platen's teflon coating.

Clean the machine at regular intervals, with the platen cold, using a clean cloth and soapy water and wearing suitable personal protective equipment.

Keep the heat platen in the raised position when it is hot but not in use.

DAILY CARE:

Clean the foam pad and the heat platen's coating (when cold) with a dry cloth or a cloth with grease remover.

Inspect the air inlet filter on the left side of the swing arm; drain the filter if it is heavily condensated.

MONTHLY CARE:

Check that the hinged joints are lubricated.

According to use:

Replace the foam pad every 6 months.

TROUBLESHOOTING TIPS



The machine must be switched off and locked and tagged prior to any service repair work (electric and pneumatic power switched off).
The heat platen can cause burns. Check that the platen temperature reading on the display panel is below 25° C before handling.

Problem	Possible causes	Solution
The machine does not switch on	The plug is not connected The switch has not been pressed Main fuse not working	Check the mains electricity and that the machine is plugged in. Press the main On/Off switch to 1. It is located in a holder next to the power cord inlet. It can be reached by pulling out the power lead and prising up the housing with the tip of a screwdriver. The square tube contains a spare fuse to replace the one in the clip.
The platen does not heat up	Faulty heating element Problem with the electronic board Temperature setting too low	Check the connections and the condition of the wires. Contact your retailer to have the heat platen removed. Check the on-screen messages and refer to the board user manual. See section V about changing this setting.
The platen overheats	Problem with the probe or the electronic board	Check the on-screen messages and refer to the list of error messages. Contact your stockist.
The timer is not counting down	Disabled or faulty limit switch on the swing arm Problem with the electronic board	Check the connections. Check the on-screen messages and refer to the board user manual.
The platen does not lower	The pins are stuck or too tight The gas-operated springs are stuck	Lubricate or loosen the pins slightly. Check them but do not try to open them: parts under high pressure - Danger. Contact your stockist about a possible replacement.
The drawer does not stay in place	Check the slides Check the magnets	Lubricate or change the slides Replace or move the magnets higher
The platen stays down after pressing	The gas-operated springs are stuck The timer does not count down	Leaking spring mechanism, pressure too low for the springs to lift the platen. Check them but do not try to open them: parts under high pressure - Danger. Contact your stockist about a possible replacement.

CONDITIONS DE GARANTIE

La période de garantie débute le jour de la mise en service du matériel chez l'utilisateur, matérialisée par le retour du bon de garantie et le bon de livraison, pour une durée de deux ans pour une utilisation courante de 8 heures par jour, soit 3000 heures.

La garantie est strictement limitée à nos matériels, contre les défauts de matière et d'exécution.

A charge pour l'acheteur de prouver les dits défauts.

Notre responsabilité est limitée à l'obligation de rectifier ou de remplacer gratuitement les pièces reconnues défectueuses par nous, sans qu'il ne puisse nous être réclamé aucune indemnité pour quelque cause que ce soit.

Les pièces remplacées au titre de la garantie :

- Restent notre propriété,
- Font l'objet d'une facturation de dépôt

Un avoir d'annulation est déclenché dès le retour des pièces défectueuses.

Le retour devra survenir UN MOIS MAXIMUM après l'intervention.

LA GARANTIE NE COUVRE PAS :

Les fournitures consommables du commerce telles que :

- Fusibles, LED, joint, flexibles, buses, filtres...
- Les fournitures n'étant pas notre fabrication pure, subissent la garantie de leur fabricant.

LA GARANTIE NE S'APPLIQUE PAS :

Aux remplacements, ni aux réparations qui résulteraient de l'usure normale des appareils et machines, des détériorations ou accidents provenant de négligences, défaut de surveillance ou d'entretien, d'utilisation défectueuse ou de modifications sans notre accord écrit.

En cas de vice provenant de matière fournie par l'acheteur, ni d'une conception imposée par celui-ci.

Aux réparations qui résulteraient des détériorations ou accidents survenues lors du transport.

Aux opérations d'entretien et de réglages inhérentes à l'utilisation de la machine, et indiquées dans la notice d'entretien, telles que :

- réglages d'intermédiaires
- resserrage de tuyauterie, etc. ...



Pour les machines pneumatiques, toutes traces d'huile détergente dans le circuit pneumatique inhibent les conditions de garanties précédemment citées.

Pour tout renseignement technique ou commande de pièces détachées,
donner la référence de la machine ainsi que son numéro de série.

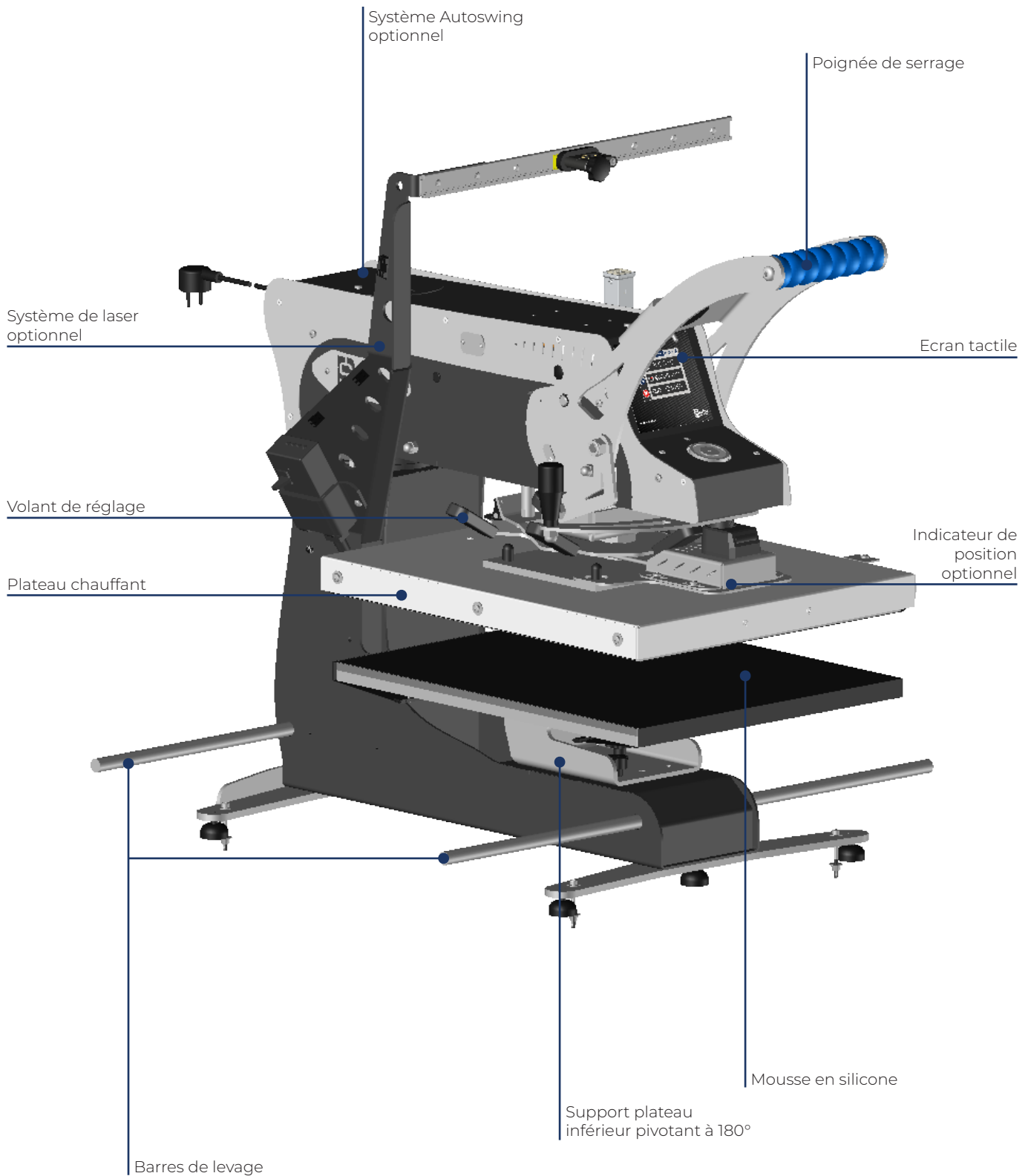
CARACTERISTIQUES

Caractéristiques	
Poids en ordre de marche	68 kg
Hauteur	674 mm
Profondeur	947 mm
Largeur	569 mm
Dimensions du plateau	400 x 500 mm
Alimentation électrique	220/240 V single phase + ground 50/60 Hz
Puissance	Pro : 3200 W / Lite - One : 2500 W
Ampérage	Pro : 14 A / Lite - One : 11 A
Alimentation électrique (version US)	110/120 V single phase + ground 50/60 Hz
Puissance (version US)	1750 W
Ampérage (version US)	16 A
Régulateur électronique température	
Précis à	+/- 1%
Réglable de	0 °C - 220 °C
Minuterie électronique	
Précis à	+/- 1%
Réglable de	0 s - 59 min 59 sec
Conditions d'utilisation	
Bruit	< 70 dB (A)
Température ambiante d'utilisation	10 °C - 35 °C
Hygrométrie	< 90%
Effort de pressage max	590 g/cm ²

Document non contractuel : en fonction des progrès techniques, nous nous réservons le droit de modifier les caractéristiques de nos produits.

GENERALITES

Cette presse à thermo coller a été conçue pour effectuer une production intensive tout en respectant l'article L 233-5 du code du travail, pour assurer la sécurité de l'utilisateur. Cette presse a été conçue pour un opérateur travaillant face à la machine.



SECURITÉ

Il est recommandé de lire attentivement “la notice d'utilisation” avant de commencer toute opération de pressage. La presse devra être utilisée par une personne habilitée et ayant été informée des risques pouvant être occasionnés par une mauvaise utilisation du matériel. Les réglages (pneumatiques, électriques et mécaniques) effectués par nos techniciens en atelier ainsi que les sécurités implantées sur la machine ne doivent en aucun cas être modifiés. Sinon, la société SEFA se dégage de toutes responsabilités sur d'éventuels problèmes liés à la dite machine.

CET APPAREIL EST CONÇU POUR ÊTRE UTILISÉ PAR UN SEUL UTILISATEUR QUALIFIÉ

a. Symboles internationaux



b. Points importants

Se munir des Equipements de protection individuelle E.P.I. (gants et lunettes par exemple). Ne pas toucher les parties chaudes de l'appareil pendant l'utilisation. Ne pas mettre les mains entre les plateaux une fois que l'appareil est allumé. Lors d'un acte de maintenance, s'assurer que l'opérateur ne risque rien en terme de brûlure, d'électrocution ou autres. Effectuer une inspection quotidienne de la machine avant de démarrer la production. Dans la zone entourant la machine, s'assurer de l'absence de toute personne avant de démarrer.

Si la machine ne fonctionne pas correctement, couper immédiatement l'alimentation en énergie et chercher la cause (voir chapitre « Maintenance » du manuel).



c. Dispositifs de sécurité

Les protections et les dispositifs de sécurité ne doivent pas être modifiés. Ils doivent être remontés en cas de dépose éventuelle pour la maintenance. Ils doivent être maintenus en place et en état lors du fonctionnement normal.

UTILISATION

a. Installation de la machine

UTILISATION PAR DU PERSONNEL QUALIFIÉ



NE PAS MANIPULER LA MACHINE PAR LES PLATEAUX



Couper les sangles de la caisse et dévisser les vis qui tiennent le couvercle et la cloche.

Retirer le couvercle puis la cloche de la caisse.

Retirer le sachet plastique protégeant la machine.

Retirer les tirefonds qui fixent la machine sur sa palette.

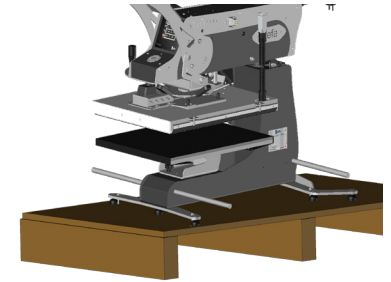
Après avoir retiré l'emballage, retirer la vis de sécurité à l'aide de la clé Allen 4 fournie.

Fixer la machine sur une table stable et de niveau en la manipulant à l'aide des barres de transport.

Positionner et fixer les plateaux inférieurs si ce n'est pas fait.

Retirer et stocker les barres de transport avec la caisse de la machine en cas d'un futur transport de la machine.

Monter la rallonge pied avant de retirer la vis de sécurité/emballage.



b. Démarrage

Alimenter en électricité la machine grâce au cordon d'alimentation fourni.

Positionner le bouton à l'arrière de la potence sur « 1 ».

L'écran tactile affichera la page du panneau de contrôle.

Cette machine doit être utilisée par du personnel qualifié.

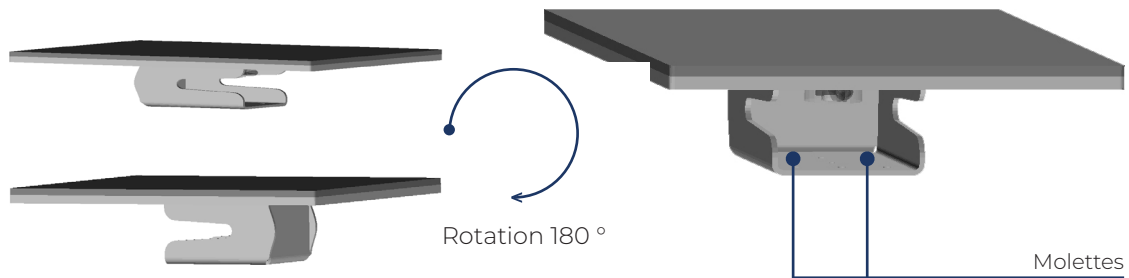
Lors de la mise sous tension, la régulation de température, la carte électronique et les alimentations électriques sont sous tension.



c. Choix du sens de travail

Cette presse est équipée en série d'un support plateau inférieur pivotant à 180°, vous permettant d'enfiler les pièces à transférer par l'avant ou par l'arrière.
Pour inverser le sens du support :

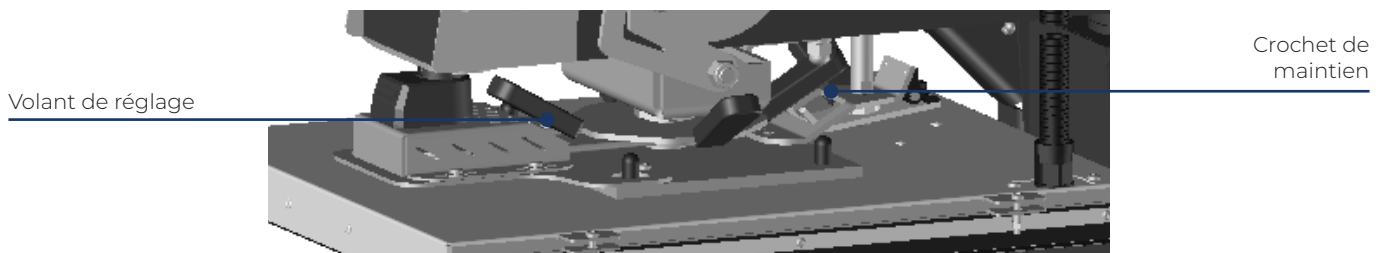
- Dévisser les 2 molettes se trouvant entre le support et le plateau inférieur,
- Pivoter le support à 180°,
- Revisser les 2 molettes sous le plateau inférieur.



d. Réglage de la hauteur du plateau chauffant

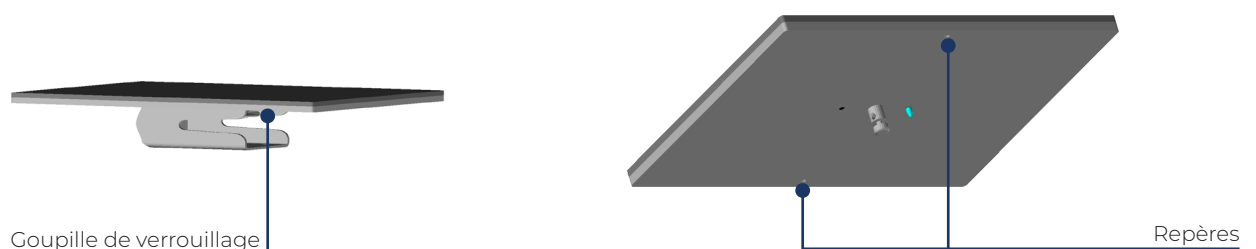
La pression exercée par le plateau chauffant peut être modifiée suivant les besoins de l'utilisateur. Il est également possible de laisser un espace entre les deux plateaux en rabaisant complètement le plateau froid (espace maximum en position travail : 17mm).

1. Débrayer le crochet de maintien.
2. Pour faire descendre le plateau chauffant (et augmenter l'effort de pressage), tourner le volant de réglage dans le sens des aiguilles d'une montre.
3. Pour diminuer la pression, tourner dans l'autre sens.
4. Un indicateur de position en option permet de visualiser la hauteur et donc la pression réglée.
5. Embrayer le crochet de maintien une fois le réglage de pression établi.



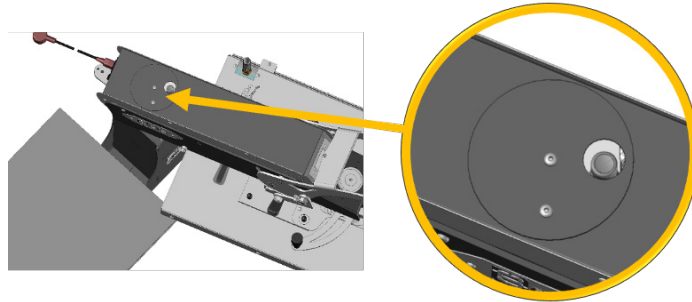
e. Changement de plateau de travail

Afin de faciliter le changement du plateau inférieur, deux repères existent sous le plateau afin de positionner correctement les mains et retirer le plateau vers le haut.



f. Auto-swing (version Pro)

1. Pivoter la tête de la machine à son maximum vers la droite
2. Pour activer le système auto-swing, faire tourner le capot et appuyer sur le bouton.
3. Pour désactiver le système auto-swing, pivoter la tête de la machine à son maximum à droite, faire tourner le capot (Figure 1) et appuyer sur le bouton.



g. Cycle de fonctionnement

Rotex One

1. Placer l'article sur le plateau inférieur.
2. Ajuster la feuille de transfert.
3. Déplacer le bras au-dessus du plateau avec lequel vous travaillez.
4. Baisser le plateau chauffant en utilisant la poignée.
5. Lorsque le plateau chauffant est abaissé, la minuterie s'enclenche.
6. En fin de décompte de la minuterie, la presse sonne.
8. Relever manuellement le plateau chauffant en utilisant la poignée.
9. Déplacer le bras hors du plateau de travail.
10. Répéter le process à partir de l'étape 1.

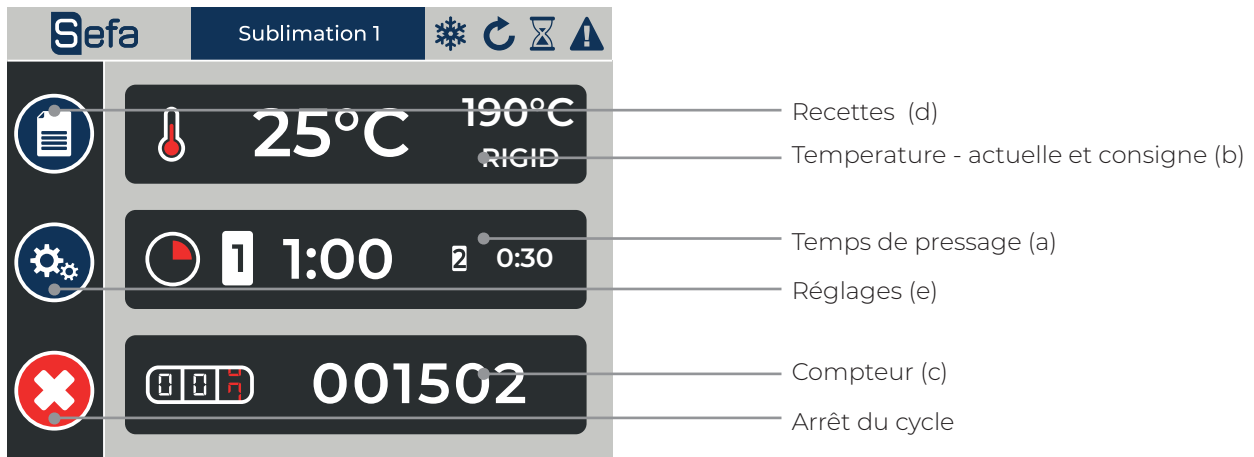
Lors du cycle, un appui sur le bouton stop de l'écran provoque l'arrêt du cycle.

Rotex Lite / Pro

1. Placer l'article sur le plateau inférieur.
2. Ajuster la feuille de transfert.
3. Déplacer le bras au-dessus du plateau avec lequel vous travaillez.
4. Baisser le plateau chauffant en utilisant la poignée.
5. Lorsque le plateau chauffant est abaissé, la minuterie s'enclenche.
6. En fin de décompte de la minuterie, la presse sonne.
8. Le plateau chauffant remonte automatiquement.
9. Déplacer le bras hors du plateau de travail (automatique sur version Pro).
10. Répéter le process à partir de l'étape 1.

Lors du cycle, un appui sur le bouton stop de l'écran provoque l'arrêt du cycle.

ÉCRAN DE CONTROLE SMART TOUCH ®



a. Temps de pressage

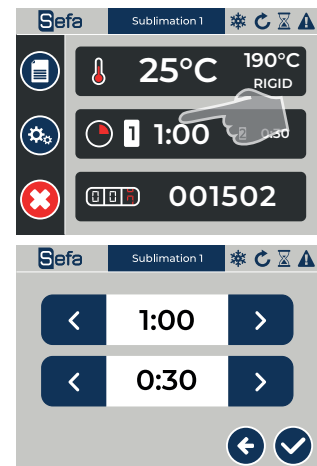
En appuyant sur cette zone, vous pouvez régler le temps de pressage de la machine.

La valeur est modifiable à l'aide des flèches gauche et droite pour l'augmenter ou la diminuer.

Vous pouvez avoir 2 temps de pressage consécutifs (cf. « réglages (e) ») sur presses mono plateau et jusqu'à 4 temps pour les presses double plateau.

Vous pouvez aussi modifier cette valeur en touchant la valeur temps et en entrant les données exactes grâce au pavé tactile (4 caractères obligatoires).

Confirmez la valeur qui vous souhaitez en appuyant sur la touche « valider » située en bas à droite de l'écran.



b. Réglage température

Appuyez sur le menu « température » (b).

Vous pouvez sélectionner, comme pour le temps de pressage, la température que vous souhaitez grâce aux flèches situées à droite et à gauche de l'indicateur de température.

Vous pouvez directement cliquer dessus et choisir manuellement la valeur. Pour les températures inférieures à 100°C, veuillez commencer par « 0 » (ex : 090°C).

Sélectionnez le profil à presser (Textile, Rigide ou DTG).



c. Compteur de pièces

Ce menu vous permet de savoir combien de pièces votre machine a réalisé.

Lorsque vous cliquez sur cette icône, 2 compteurs apparaissent. Voir fonctionnement dans le tableau ci-dessous.

Le premier compteur est partiel, et a la possibilité d'être remis à zéro grâce à la flèche située à sa droite.

Le second est quant à lui un compteur général. Il affiche le nombre de pièces effectuées depuis la mise en route de la machine. Il est permanent et ne peut être réinitialisé.



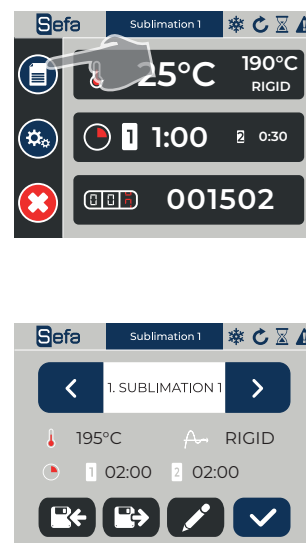
d. Recettes

Lorsque vous appuyez sur l'icône « recettes » (d), ce menu apparaît.

Les flèches de droite et de gauche permettent de sélectionner une des 10 recettes qui ont déjà été créées. Il faut appuyer sur l'icône avec la disquette et la flèche qui pointe vers la droite pour utiliser une recette (chargement). Une fois cela fait, appuyez sur la flèche en bas à gauche pour revenir au menu principal.

Si vous voulez créer/modifier une recette, vous devez d'abord régler le temps et la température dans l'écran principal, puis sélectionner l'emplacement mémoire (de 1 à 5) dans l'écran recette (d). Si vous souhaitez renommer la recette, appuyez sur le crayon. Choisissez-lui un nom et appuyez sur la flèche en bas à droite pour valider. Enfin appuyez sur la disquette avec la flèche entrante pour enregistrer votre choix/réglage.

Lorsque le bandeau contenant la recette en cours d'utilisation indique un astérisque en début de nom (*), cela informe l'utilisateur que les réglages actuels ne correspondent pas au réglages originaux de la recette, et que les réglages actuellement utilisés n'ont pas été enregistrés dans la recette.



e. Réglages

Dans le menu principal, appuyez sur l'icône (e) pour entrer dans les réglages de la machine. 6 possibilités apparaissent. Le bouton de la roue crantée permet de modifier les aspects techniques de la machine.





- Permet de choisir si la machine produit un son à chaque fois que l'on touche l'écran tactile.
- Permet d'activer ou non une alarme lorsque le temps de passage arrive à terme.
- Permet de choisir l'unité de la température : degré Celsius ou degré Fahrenheit.
- Permet d'activer un autre minuteur pour le temps de passage. Si cette option est activée, il sera donc possible de modifier 2 temps dans le menu du temps de passage.
- La flèche qui pointe vers la gauche permet de retourner au menu précédent, celle pointant vers la droite permet d'accéder à d'autres réglages.
- Permet de régler l'intervalle de température de fonctionnement. Pour régler cet intervalle, il suffit d'appuyer sur l'icône et d'y insérer les 2 températures souhaitées. Lors du 2ème passage, elle n'est pas prise en compte et permet de travailler même si la consigne n'est pas atteinte.
- Permet de régler la luminosité de l'écran. 3 choix sont possibles.
- La flèche qui pointe vers la gauche permet de retourner au menu précédent.

f. Autres réglages

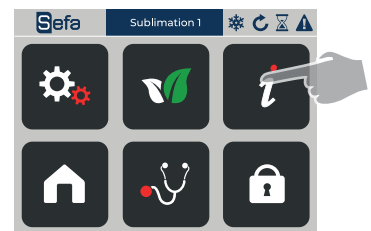
L'icône avec la feuille verte permet de régler le mode économie d'énergie. L'opérateur peut activer 2 modes économie d'énergie :

- Mise en veille prolongée
 - ▶ Heure de mise en veille
 - ▶ Heure de remise en chauffe
- Mise en veille courte
 - ▶ Température de veille (de 40°C (104°F) à 140°C (284°F))
 - ▶ Délai d'inactivité avant mise en veille

La carte bascule en mode éco uniquement si elle est sur l'écran d'accueil. On estime que si l'utilisateur laisse la presse sur un autre écran, il est en cours de modification. Pour sortir des modes économie d'énergie en cours, un toucher sur l'écran ou un départ cycle est suffisant.






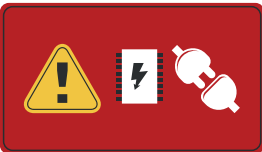

Le « i » situé en haut à droite va vous donner des informations clés sur la version du logiciel ainsi que les coordonnées de SEFA.



Le bouton diagnostic permet d'avoir un état de la machine et donc de savoir s'il y a des dysfonctionnements ou non. Si oui, veuillez contacter le service après-vente de votre distributeur.



g. Liste d'alarmes/évènements

Alarme 01 : Sonde PT100		Perte de signal de la sonde (capteur ou câble). La régulation de chauffe est instantanément désactivée.
Alarme 02 : Surchauffe Température		Lecture de température supérieure à 230°C. La régulation de chauffe est instantanément désactivée.
Alarme 06 : Remonté Plateau		le FDC haut n'est pas lu pendant la phase de remontée avant la fin de minuterie time out remonté plateau.
Alarme 10 : Problème de communication		Communication entre la carte puissance et la carte écran interrompue. Contacter votre revendeur.
Alarme 13 : Température non atteinte.		Température en cours de montée ou descente déclenche avant + ou - 30°C maxi autour de la consigne.

Appuyez sur la zone rouge / orange pour effacer le défaut.

MAINTENANCE

UTILISATION PAR DU PERSONNEL QUALIFIE

TOUTES INTERVENTIONS DE MAINTENANCE DOIVENT SE FAIRE A L'ARRET ET MACHINE CONSIGNÉE (ENERGIES ELECTRIQUES ET PNEUMATIQUES DEBRANCHÉES)

Il est recommandé d'avoir à portée de main les outils suivants:

- Tournevis cruciformes et plats
- Un jeu de clefs plates et à pipes
- Un jeu de clefs Allen
- Un multimètre

a. Remplacement des pièces usées

- Tapis en mousse siliconé

Vérifier que le plateau est froid

S'assurer que la surface du plateau soit bien propre.

Eventuellement utiliser de l'eau savonneuse en étant muni de protections individuelles adéquates.

Utiliser un tube de colle RTV-1 pour coller la mousse au plateau en aluminium (NB : lire les instructions sur l'emballage du tube).

Le tapis et le plateau doivent être propres et sec avant de commencer le collage.

Étaler une fine couche de colle de façon homogène sur le plateau et appliquer immédiatement le tapis en s'assurant qu'il n'y ait pas de bulle d'air (Exemple : une spatule dentelée de carreleur).

Laisser reposer une nuit entière à température ambiante avec une faible pression et sans chauffe.

- Pour les autres pièces, prendre contact avec votre revendeur pour évaluer leur changement ou réparation.

b. Entretien

Les presses à chaud SEFA ne nécessitent pratiquement pas d'entretien. Pour vous assurer un bon fonctionnement, suivre les consignes préventives indiquées ci-dessous : Ne pas chauffer d'objets qui pourraient détériorer voire couper le tapis silicone ou abîmer le revêtement en téflon du plateau chauffant.

Périodiquement et lorsque le plateau est froid, nettoyer la machine à l'aide d'un chiffon propre et d'eau savonneuse en étant muni des protections individuelles adéquates.

Lorsque le plateau chauffant est chaud et non utilisé, garder-le en position haute.

QUOTIDIEN :

Nettoyer la mousse et le revêtement du plateau chauffant (à froid) avec un chiffon sec ou imprégné de dégraissant.

Vérifier le filtre d'arrivée d'air sur le flanc gauche de la potence, le purger s'il y a trop de condensât.

MENSUEL :

Vérifier le graissage des articulations.

Suivant l'utilisation:

Changer la mousse tous les 6 mois.

CONSEILS D'INTERVENTION RAPIDES



Toutes réparations de maintenance doit se faire à l'arrêt et machine consignée (énergie électrique et pneumatique arrêtées).

Le plateau chauffant, peut occasionner des brûlures. L'opérateur doit s'assurer que la température de celui-ci est inférieure à 25°C sur l'afficheur, avant toute manipulation.

Symptôme	Cause possible	Solution
La machine ne s'allume pas	La prise n'est pas branchée. L'interrupteur n'est pas enclenché. Le fusible général est hors d'usage.	Vérifier votre réseau et si la machine y est reliée. Mettre l'interrupteur général M/A sur 1. Il est situé dans un logement à côté de la fiche du cordon d'alimentation. Pour y accéder, retirer le cordon électrique, avec la pointe d'un tournevis soulever le logement du fusible. Vous trouverez dans le tube carré, un fusible de rechange à mettre en lieu et place de celui qui se trouve dans la griffe.
Le plateau ne chauffe plus	La résistance est défectueuse. Problème de la carte. Valeur de température trop basse.	Vérifier les connexions et l'état des fils électriques. Pour démonter le plateau chauffant, prendre contact avec votre revendeur. Voir les messages affichés sur l'écran et se reporter au manuel de la carte. Pour modifier cette valeur, voir chapitre V
Le plateau surchauffe	Problème de la sonde ou de la carte.	Voir les messages affichés sur l'écran et se reporter à la liste des messages d'erreurs. Prendre contact avec votre revendeur
La minuterie ne décompte pas	Le fin de course de la potence n'est pas activé ou défectueux. Problème de la carte.	Vérifier ses connexions. Voir les messages affichés sur l'écran et se reporter au manuel de la carte.
Le plateau ne descend pas	Les axes sont grippés ou trop serrés. Les ressorts à gaz sont bloqués.	Les graisser ou les desserrer légèrement Vérifier-les, mais ne pas essayer de les ouvrir : danger haute pression. Prendre contact avec votre revendeur pour éventuellement les changer.
Le plateau reste en position basse après pressage	Les ressorts à gaz sont bloqués. La minuterie ne décompte pas.	Il y a une fuite sur ces ressorts, il n'y a plus assez de pression pour qu'ils puissent assurer la remontée du plateau. Vérifier-les, mais ne pas essayer de les ouvrir : danger haute pression. Prendre contact avec votre revendeur pour éventuellement les changer.

CONDICIONES DE GARANTÍA

El periodo de garantía comienza el día de la puesta en servicio del equipo en las instalaciones del usuario, acreditada por la devolución de la tarjeta de garantía y el albarán de entrega, por un periodo de dos años para un uso corriente de 8 horas diarias, es decir, 3000 horas.

La garantía se limita estrictamente a nuestros equipos, contra los defectos de material y de ejecución.

Corresponde al comprador demostrar dichos defectos.

Nuestra responsabilidad se limita a la obligación de rectificar o sustituir gratuitamente las piezas reconocidas como defectuosas por nosotros, sin que se nos pueda reclamar indemnización alguna por ningún motivo.

Las piezas sustituidas durante la garantía:

- Sigue siendo de nuestra propiedad,
- Están sujetas a la facturación de un depósito

El crédito de anulación se activa en cuanto se devuelven las piezas defectuosas.

La devolución deberá producirse UN MES COMO MÁXIMO después de la intervención.

LA GARANTÍA NO CUBRE :

Los suministros comerciales consumibles como:

- Fusibles, LEDs, juntas, mangueras, boquillas, filtros...
- Los suministros que no son de nuestra fabricación pura, se someten a la garantía de su fabricante.

LA GARANTÍA NO SE APLICA :

Las sustituciones o reparaciones derivadas del desgaste normal de los equipos y máquinas, los daños o accidentes causados por negligencia, falta de supervisión o mantenimiento, uso defectuoso o modificaciones sin nuestro consentimiento por escrito.

En el caso de un defecto derivado de los materiales suministrados por el comprador, o de un diseño impuesto por éste.

Reparaciones derivadas de daños o accidentes durante el transporte.

Operaciones de mantenimiento y ajuste inherentes al uso de la máquina, e indicadas en el manual de mantenimiento, como

- Ajustes intermedipos
- apriete de tubos, etc. ...



En el caso de las máquinas neumáticas, cualquier rastro de aceite detergente en el circuito neumático inhibe las condiciones de garantía mencionadas anteriormente.

Para cualquier información técnica o pedido de piezas de recambio,
indique la referencia de la máquina y su número de serie.

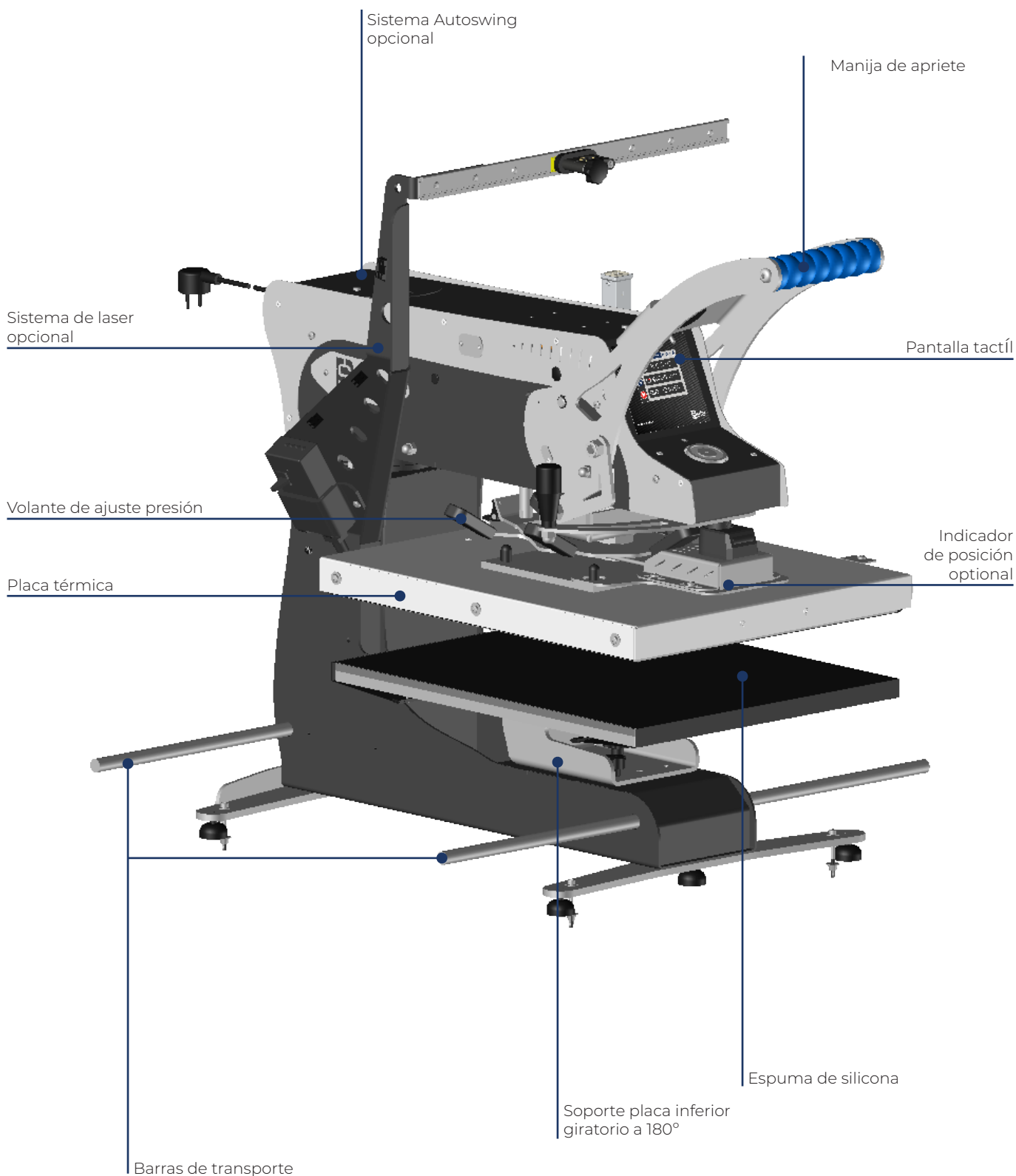
CARACTERÍSTICAS

Características	
Peso en funcionamiento	68 kg
Altura	674 mm
Profundidad	947 mm
Anchura	569 mm
Dimensiones de la placa	400 x 500 mm
Alimentación eléctrica	220/240 V single phase + ground 50/60 Hz
Potencia	Pro : 3200 W / Lite - One : 2500 W
Amperaje	Pro : 14 A / Lite - One : 11 A
Alimentación eléctrica (Versión US)	110/120 V single phase + ground 50/60 Hz
Potencia (Versión US)	1750 W
Amperaje (Versión US)	16 A
Controlador electrónico temperatura	
Preciso a	+/- 1%
Ajustable de	0 °C - 220 °C
Temporizador electrónico	
Preciso a	+/- 1%
Ajustable de	0 s - 59 min 59 sec
Condiciones de utilización	
Ruido	< 70 dB (A)
Temperatura ambiente de utilización	10 °C - 35 °C
Higrometría	< 90%
Esfuerzo de planchado máx.	590 g/cm ²

Documento no contractual : en función del progreso técnico, nos reservamos el derecho de modificar las características de nuestros productos.

ASPECTOS GENERALES

Esta termoencoladora ha sido diseñada para llevar a cabo una producción intensiva respetando el artículo L 233-5 del código del trabajo, para garantizar la seguridad del usuario. Esta prensa ha sido diseñada para que un operario trabaje frente a la máquina.



SEGURIDAD

Se recomienda leer atentamente las «instrucciones de uso» antes de comenzar cualquier operación de planchado. La plancha debe utilizarla una persona habilitada y que haya sido informada de los riesgos que puede provocar un uso inadecuado del material. Los ajustes (neumáticos, eléctricos y mecánicos) realizados por nuestros técnicos en el taller, así como los dispositivos de seguridad instalados en la máquina, no deben modificarse en ningún caso. De lo contrario, la sociedad SEFA no se hará responsable de ningún problema relacionado con la máquina.

ESTE DISPOSITIVO ESTÁ DISEÑADO PARA SER UTILIZADO POR UN SOLO USUARIO CUALIFICADO

a. Símbolos internacionales



b. Puntos importantes

Dotarse de equipos de protección individual E.P.I. (guantes y gafas, por ejemplo). No tocar las partes calientes de aparato durante el funcionamiento. No pasar las manos entre las placas una vez que el aparato esté encendido. Al manipularlo, asegúrese de que el operario no corre el riesgo de sufrir quemaduras, descargas eléctricas u otros peligros. Inspeccionar diariamente la máquina antes de lanzar la producción. En la zona que rodea la máquina, asegúrese de que no haya nadie cerca antes de ponerla en marcha.

Si la máquina no funciona correctamente, desconecte inmediatamente la alimentación eléctrica e investigue la causa (véase el capítulo «Mantenimiento» del manual).



c. Dispositivos de seguridad

Las protecciones y los dispositivos de seguridad no deben modificarse. Deben volver a montarse si se desmontan para su mantenimiento. Deben mantenerse en su sitio y en buen estado durante el funcionamiento normal.

UTILIZACIÓN

a. Instalación de la máquina

USO POR PERSONAL CUALIFICADO



¡ NO MANIPULE LA MÁQUINA POR LAS PLACAS !



Corta las correas de la caja y desatornilla los tornillos que sujetan la tapa y la campana.

Retirar la tapa y luego la campana de la caja.

Retire la bolsa de plástico que protege la máquina.

Retire los tirafondos que fijan la máquina a su palé.

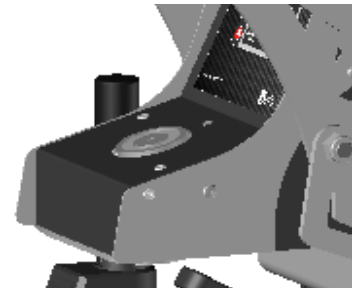
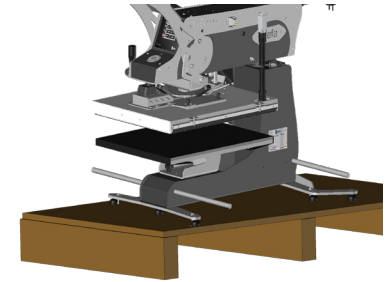
Una vez retirado el embalaje, retire el tornillo de seguridad con la llave Allen 4 suministrada.

Fijar la máquina en una mesa estable y nivelada manejándola con las barras de transporte.

Coloque y fije las placas superior e inferior si no lo ha hecho ya.

Retire y guarde las barras de transporte con la caja de la máquina en caso de que ésta deba ser transportada en el futuro.

Monte la alargadera de pie antes de retirar el tornillo de seguridad/embalaje



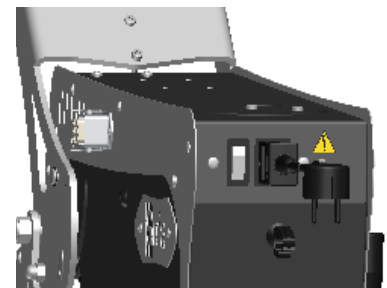
b. Puesta en marcha

Suministre energía a la máquina con el cable de alimentación suministrado.

Ponga el botón en la parte posterior del soporte en «1».

La pantalla táctil mostrará la página del panel de control.

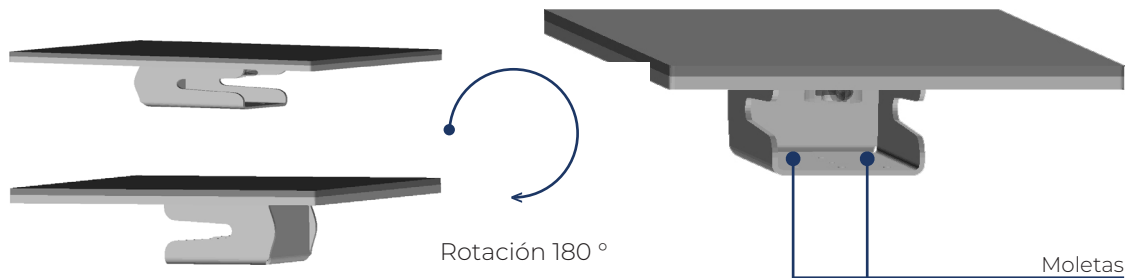
Esta máquina debe ser manejada por personal cualificado. Cuando se enciende la alimentación, el control de temperatura, la tarjeta electrónica y las fuentes de alimentación reciben energía.



c. Elección del sentido de trabajo

Esta prensa está equipada de serie con un soporte de placa inferior giratorio a 180°, lo que le permite introducir las piezas a transferir por delante o por detrás. Para invertir el sentido del soporte:

- Desenroscar las 2 moletas situadas entre el soporte y la placa inferior,
- Girar el soporte a 180°,
- Vuelva a atornillar las 2 moletas debajo de la placa inferior.



d. Ajuste de la altura de la placa térmica

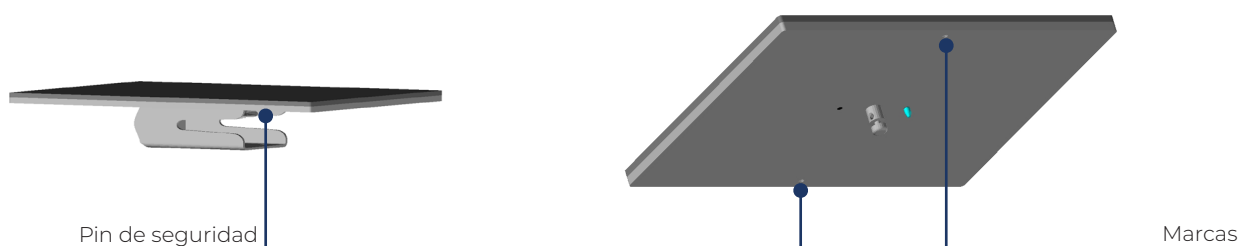
La presión ejercida por la placa térmica puede modificarse en función de las necesidades del usuario. También es posible dejar un espacio entre las dos placas bajando completamente la placa de frío (espacio máximo en posición de trabajo: 17mm).

1. Desenganche el gancho de sujeción.
2. Para bajar la placa térmica (y aumentar el esfuerzo de planchado), gire el volante de ajuste en dirección de las manecillas del reloj.
3. Para disminuir la presión, girar en sentido contrario.
4. Un indicador de posición opcional muestra la altura y, por tanto, la presión ajustada.
5. Enganche el gancho de sujeción después de haber ajustado la presión.



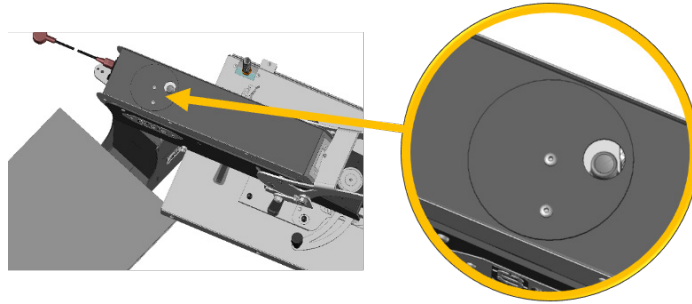
e. Cambio de la placa de trabajo

Para facilitar el cambio de la placa inferior, existen dos marcas debajo de la placa para posicionar correctamente las manos y retirar la placa hacia arriba.



f. Auto-swing (versión pro)

1. Girar el cabezal de la máquina lo más a la derecha posible.
2. Para activar el sistema de giro automático, gire la tapa y pulse el botón.
3. Para activar el sistema de giro automático, gire el cabezal de la máquina a su máximo a la derecha, gire la tapa y pulse el botón.



g. Ciclo de funcionamiento

Rotex One

1. Colocar el artículo sobre la placa inferior.
2. Ajuste la hoja de transfer.
3. Desplace el brazo sobre la placa con la que está trabajando.
4. Baje la placa térmica accionando la manija de descenso,
5. Cuando se baja la placa térmica, el temporizador se pone en marcha.
6. Al final de la cuenta atrás del temporizador, la plancha suena.
8. Levante manualmente la placa térmica accionando la manija,
9. Saque el brazo fuera de la placa de trabajo.
10. Repita el proceso desde el paso 1.

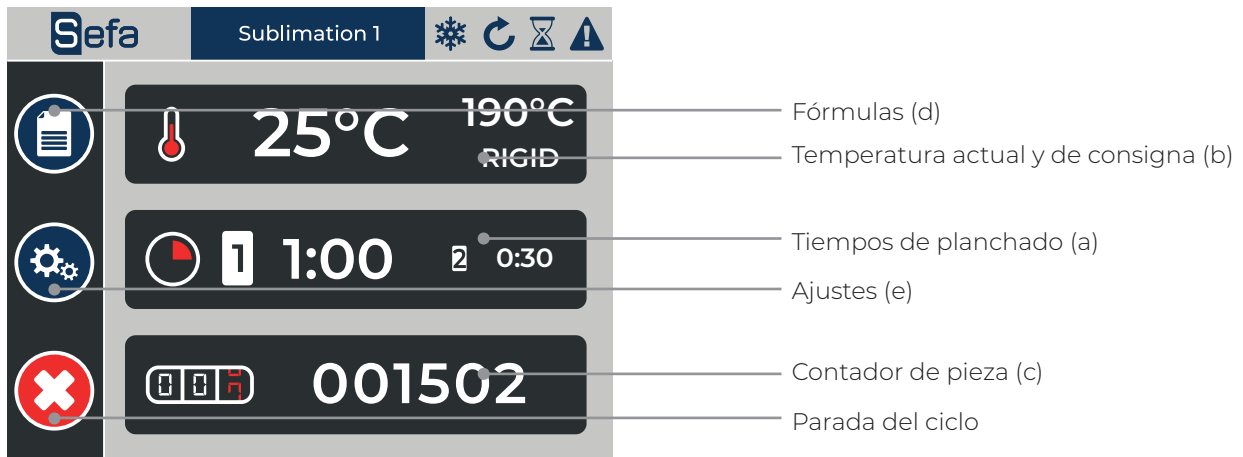
Durante el ciclo, al pulsar el botón de parada en la pantalla se detiene el ciclo.

Rotex Lite / Pro

1. Colocar el artículo sobre la placa inferior.
2. Ajuste la hoja de transfer.
3. Desplace el brazo sobre la placa con la que está trabajando.
4. Baje la placa térmica accionando la manija de descenso,
5. Cuando se baja la placa térmica, el temporizador se pone en marcha.
6. Al final de la cuenta atrás del temporizador, la plancha suena.
8. La placa térmica sube automáticamente.
9. Saque el brazo fuera de la placa de trabajo. (se desplaza automáticamente sobre la versión Pro).
10. Repita el proceso desde el paso 1.

Durante el ciclo, al pulsar el botón de parada en la pantalla se detiene el ciclo.

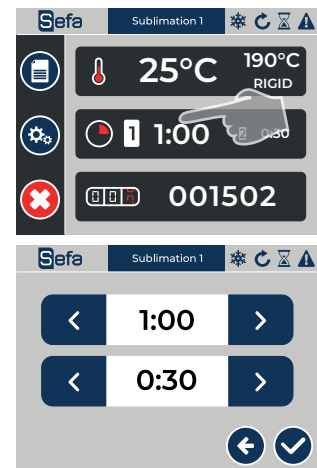
PANTALLA DE CONTROL SMART TOUCH ®



a. Tiempo de planchado

Al pulsar en esta zona, se puede ajustar el tiempo de planchado de la máquina.
 El valor puede modificarse con las flechas izquierda y derecha para aumentarlo o disminuirlo.
 Puede disponer de 2 tiempos de planchado consecutivos (ver « ajustes (e) ») en planchas de una sola bandeja y hasta 4 tiempos para las planchas con doble bandeja.

También puede cambiar este valor tocando el valor tiempo e introduciendo los datos exactos con el teclado táctil (4 dígitos obligatorios).
 Confirme el valor que desea pulsando el botón «validar» situado en la parte inferior derecha de la pantalla.



b. Ajuste de la temperatura

Pulse el menú «temperatura» (b).

Al igual que con el tiempo de planchado, puede seleccionar la temperatura que desee mediante las flechas situadas a la derecha y a la izquierda del indicador de temperatura.

Puede hacer clic directamente encima y elegir el valor manualmente. Para temperaturas inferiores a 100°C, comience con «0» (por ejemplo: 090°C).

Seleccione el perfil que debe planchar (Textil, Rígido o DTG).



c. Contador de piezas

Este menú le permite saber cuántas piezas ha producido su máquina.

Al hacer clic en este icono, aparecen 2 contadores. Véase el funcionamiento en la tabla siguiente.

El primer contador es parcial y se puede poner a cero con la flecha de la derecha.

El segundo es un contador general. Muestra el número de piezas realizadas desde que se puso en marcha la máquina. Es permanente y no se puede reinicializar.



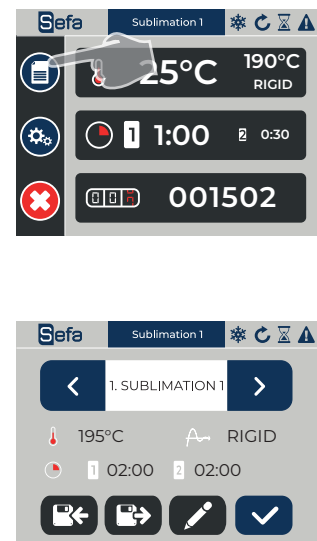
d. Fórmulas

Al pulsar el icono «fórmulas» (d), aparece este menú.

Utilice las flechas derecha e izquierda para seleccionar una de las 10 fórmulas ya creadas. Debe pulsar el icono con el disquete y la flecha que apunta a la derecha para utilizar una fórmula (cargar). Una vez hecho esto, pulse la flecha inferior izquierda para volver al menú principal.

Si desea crear/modificar una fórmula, debe ajustar en primer lugar la hora y la temperatura en la pantalla principal y luego seleccionar el emplazamiento en la memoria (1 a 5) en la pantalla de fórmulas (d). Si desea cambiar el nombre de la fórmula, pulse el lápiz. Elíjale un nombre y pulse en la parte baja derecha de la flecha para validarlo. Por último, pulse el disquete con la flecha de entrada para guardar su elección/ajuste.

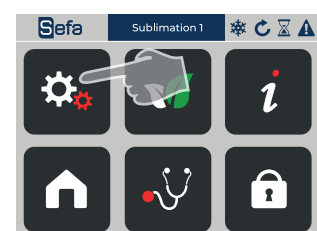
Cuando la franja que contiene la fórmula actual que se está utilizando indica un asterisco al principio del nombre (*), esto informa al usuario de que los ajustes actuales no coinciden con los ajustes originales de la receta, y que los ajustes actualmente en uso no se han guardado en la receta.




e. Ajustes

En el menú principal, pulse el icono (e) para acceder a los ajustes de la máquina. Aparecen 6 posibilidades.

El botón de la rueda dentada permite cambiar los aspectos técnicos de la máquina.





Permite elegir si la máquina produce un sonido cada vez que se toca la pantalla táctil.

Permite activar o no una alarma cuando se va a terminar el tiempo de planchado.

Permite elegir la unidad de temperatura: grados Celsius o grados Fahrenheit.

Permite activar otro temporizador para el tiempo de planchado. Por lo tanto, si esta opción está activada, será posible modificar 2 tiempos en el menú del tiempo de planchado.

La flecha que apunta a la izquierda le permitirá volver al menú anterior, la flecha que apunta a la derecha le permitirá acceder a otros ajustes.

El parámetro situado en la parte superior izquierda informa que la máquina plancha en el intervalo de temperatura que se ha establecido. Para regular este intervalo, basta con pulsar el icono e introducir allí las 2 temperaturas deseadas. Se visualiza una alarma que no bloquea. Durante el 2º planchado, no se tiene en cuenta y permite trabajar, aunque no se alcance la consigna.

El que está situado a la derecha le permitirá ajustar la luminosidad de la pantalla.

La flecha que apunta a la izquierda le permitirá volver al menú anterior.

f. Otros ajustes

El icono con la hoja verde se utiliza para establecer el modo de ahorro de energía.

El operario puede activar 2 modos de ahorro de energía:

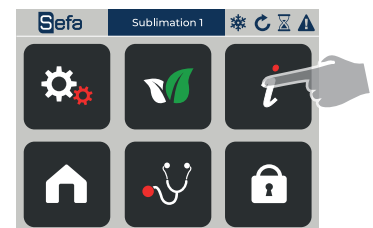
- Puesta en espera prolongada
 - ▶ Hora de puesta en espera
 - ▶ Hora de volverlo a poner en calentamiento
- Puesta en espera corta
 - ▶ Temperatura de espera (De 40°C (104°F) a 140°C (284°F))
 - ▶ Plazo de inactividad antes de la puesta en espera

La tarjeta pasa al modo ecológico sólo si está en la pantalla de inicio. Se estima que, si el usuario deja la plancha en otra pantalla, se está modificando.

Para salir de los modos de ahorro de energía actuales, basta con tocar la pantalla o iniciar un ciclo.



La «i» de la parte superior derecha le facilitará información clave sobre la versión del software, así como los datos de contacto de SEFA.



El botón de diagnóstico permite conocer el estado de la máquina y, por tanto, saber si existe o no un mal funcionamiento. En caso afirmativo, sírvase ponerse en contacto con el servicio postventa de su distribuidor.



g. Lista de alarmas / eventos

Alarma 01: Sonda PT100		Pérdida de la señal de la sonda (sensor o cable). La regulación del calentamiento se ha desactivado instantáneamente.
Alarma 02: Recalentamiento Temperatura superior a 220°C		Lectura de temperatura superior a 230°C. El control del calor se ha desactivado instantáneamente.
Alarma 06 : Subida de la bandeja		El FDC alto no se lee durante la fase de subida antes del final del temporizador out time subida bandeja.
Alarma 10: Problema de comunicación		Comunicación entre la tarjeta de potencia y la tarjeta pantalla interrumpida. Póngase en contacto con su minorista.
Alarma 13: Temperatura no alcanzada		Durante la subida o bajada la temperatura se dispara antes de + o - 30°C como máximo alrededor de la consigna.

Pulse la zona roja/naranja para subsanar el fallo.

MANTENIMIENTO

USO POR PERSONAL CUALIFICADO

TODOS LOS TRABAJOS DE MANTENIMIENTO DEBEN REALIZARSE CON LA MAQUINA PARADA Y CONSIGNADA (ENERGÍA ELÉCTRICA Y NEUMÁTICA DESCONECTADA)

Se recomienda tener a mano las siguientes herramientas:

- Destornillador cruciforme y plano
- Un juego de llaves planas y de tubo
- Un juego de llaves Allen
- Un multímetro

a. Sustitución de piezas usadas

- Tapete de espuma de silicona

Compruebe que la placa está fría

Asegúrese de que la superficie de la placa esté limpia.

Si fuera necesario, utilice agua jabonosa con la protección personal adecuada.

Utilizar un tubo de cola RTV-1 para pegar la espuma a la placa de aluminio (Nota: lea las instrucciones del embalaje del tubo).

El tapete y la placa deben estar limpias y secas antes de comenzar el encolado.

Extender una fina capa de cola de forma homogénea sobre la placa y aplique inmediatamente el tapete, asegurándose de que no haya burbujas de aire (Ejemplo: una espátula dentada de alicatador).

Dejar reposar toda la noche a temperatura ambiente con poca presión y sin calentar.

- Para otras piezas, póngase en contacto con su distribuidor para evaluar su sustitución o reparación.

b. Mantenimiento

Las prensas térmicas SEFA no necesitan prácticamente mantenimiento. Para estar seguro de que el funcionamiento sea correcto, siga las instrucciones preventivas que se indican a continuación:

No caliente objetos que puedan dañar o cortar el tapete de silicona o dañar el revestimiento de teflón de la placa térmica.

Periódicamente y cuando la placa esté fría, limpie la máquina con un paño limpio y agua jabonosa, utilizando las protecciones individuales adecuadas.

Cuando la placa térmica esté caliente y no se utilice, manténgala en posición alta.

DIARIAMENTE :

Limpie la espuma y el revestimiento de la placa térmica (en frío) con un paño seco o empapado en desengrasante.

Compruebe el filtro de entrada de aire en el lado izquierdo del soporte y púrguelo si hay demasiada condensación.

MENSUAL :

Compruebe la lubricación de las articulaciones.

Según el uso:

Cambiar la espuma cada 6 meses.

CONSEJOS DE INTERVENCIÓN RÁPIDA



Todas las reparaciones de mantenimiento deben realizarse con la máquina parada (energía eléctrica y neumática detenida). La placa térmica puede causar quemaduras. El operario debe asegurarse de que su temperatura sea inferior a 25°C en la pantalla, antes de cualquier manipulación.

Síntomas	Posibles averías	Reparación
La máquina no se enciende	<p>El enchufe no está conectado</p> <p>El interruptor no está conectado</p> <p>El fusible general no funciona</p>	<p>Compruebe su red y si la máquina está conectada a ella.</p> <p>Poner el interruptor principal de encendido/apagado en 1.</p> <p>Se encuentra en un alojamiento junto al enchufe del cable de alimentación. Para acceder a él, retire el cable eléctrico, con la punta de un destornillador y levante el alojamiento del fusible. Encontrará en el tubo cuadrado, un fusible de repuesto para cambiar el que se encuentra en la mordaza.</p>
La placa ya no se calienta	<p>La resistencia está defectuosa</p> <p>Problema de la tarjeta.</p> <p>Valor de temperatura demasiado bajo</p>	<p>Compruebe las conexiones y el estado de los cables eléctricos.</p> <p>Para retirar la placa térmica, póngase en contacto con su distribuidor.</p> <p>Consulte los mensajes que aparecen en la pantalla y consulte la guía de la tarjeta.</p> <p>Para modificar este valor, véase el capítulo 5</p>
La placa se recalienta	Problema con la sonda o la tarjeta.	Consulte los mensajes que aparecen en la pantalla y vaya a la lista de los mensajes de error. Póngase en contacto con su distribuidor.
El temporizador no tiene cuenta atrás	<p>El fin de carrera no está activado o tiene un defecto.</p> <p>Problema de la tarjeta.</p>	<p>Compruebe sus conexiones.</p> <p>Consulte los mensajes que aparecen en la pantalla y consulte la guía de la tarjeta.</p>
La placa no baja	<p>Los ejes están agarrotados o demasiado prietos.</p> <p>Los resortes de gas están bloqueados.</p>	<p>Lubricarlos o aflojarlos ligeramente</p> <p>Compruébelos, pero no intente abrirlos: peligro de alta presión. Póngase en contacto con su distribuidor para una posible sustitución.</p>
La placa permanece en la posición inferior después del planchado	<p>Los resortes de gas están bloqueados.</p> <p>El temporizador no tiene cuenta atrás</p>	<p>Hay una fuga en estos resortes, no hay suficiente presión para que garanticen que la placa suba. Compruébelos, pero no intente abrirlos: peligro de alta presión. Póngase en contacto con su distribuidor para una posible sustitución.</p>

GARANTIEBESTIMMUNGEN

Der Garantiezeitraum beginnt am Tag der Inbetriebnahme des Geräts beim Benutzer, festgelegt durch das Rücksendedatum von Garantie- und Lieferschein, und dauert zwei Jahre bei gängiger Verwendung von 8 Stunden täglich, das heißt, insgesamt 3000 Stunden.

Die Garantie betrifft ausschließlich die von uns gelieferten Ausrüstungen und gewährleistet, dass diese frei von Material- und Verarbeitungsfehlern sind.

Es obliegt dem Käufer solche Fehler nachzuweisen.

Unsere Verantwortung beschränkt sich auf die Verpflichtung zur Fehlerbehebung oder zum kostenlosen Austausch von uns als fehlerhaft anerkannter Teile. Auf keinen Fall können irgendwelche Entschädigungszahlungen gefordert werden.

Im Rahmen der Garantie ausgetauschte Teile:

- bleiben in unserem Besitz,
- sind Gegenstand der Berechnung von Hinterlegungskosten.

Nach Rücksendung der fehlerhaften Teile wird die Berechnung annulliert.

Die Rücksendung muss innerhalb MAXIMAL EINES MONATS nach dem Eingriff erfolgen.

VON DER GARANTIE NICHT GEDECKT SIND :

Im Handel erhältliche Verbrauchsgüter, wie:

- Sicherungen, LEDs, Dichtungen, Schläuche, Düsen, Filter usw.,
- Nicht von uns selbst gefertigte Lieferungen. Diese unterliegen der Garantie ihres Herstellers.

DIE GARANTIE KOMMT NICHT ZUR ANWENDUNG AUF :

Durch normalen Verschleiß der Geräte erforderliche Austausche oder Reparaturen, Schäden oder Unfälle, die auf Nachlässigkeit, mangelnde Überwachung oder Wartung, falsche Verwendung oder ohne unsere schriftliche Zustimmung vorgenommene Änderungen zurückzuführen sind.

Mängel, die durch vom Käufer gelieferte Materialien und von ihm geforderte Auslegungen des Geräts verursacht wurden.

Reparaturen, die nach Unfällen oder Beschädigungen beim Transport nötig sind.

Wartungs- und Einstellarbeiten, die mit der Verwendung des Geräts einhergehen und in dessen Bedienungsanleitung genannt sind, wie:

- Zwischeneinstellungen,
- Nachziehen von Leitungsanschlüssen usw.



Bei pneumatischen Geräten wird nach Auffinden jeglicher Spuren waschaktiven Öls im Pneumatikkreis die oben genannte Garantie nichtig.

Bei technischen Anfragen oder Ersatzteilbestellungen immer die Referenz-Nummer und die Seriennummer des Geräts angeben.

TECHNISCHE DATEN

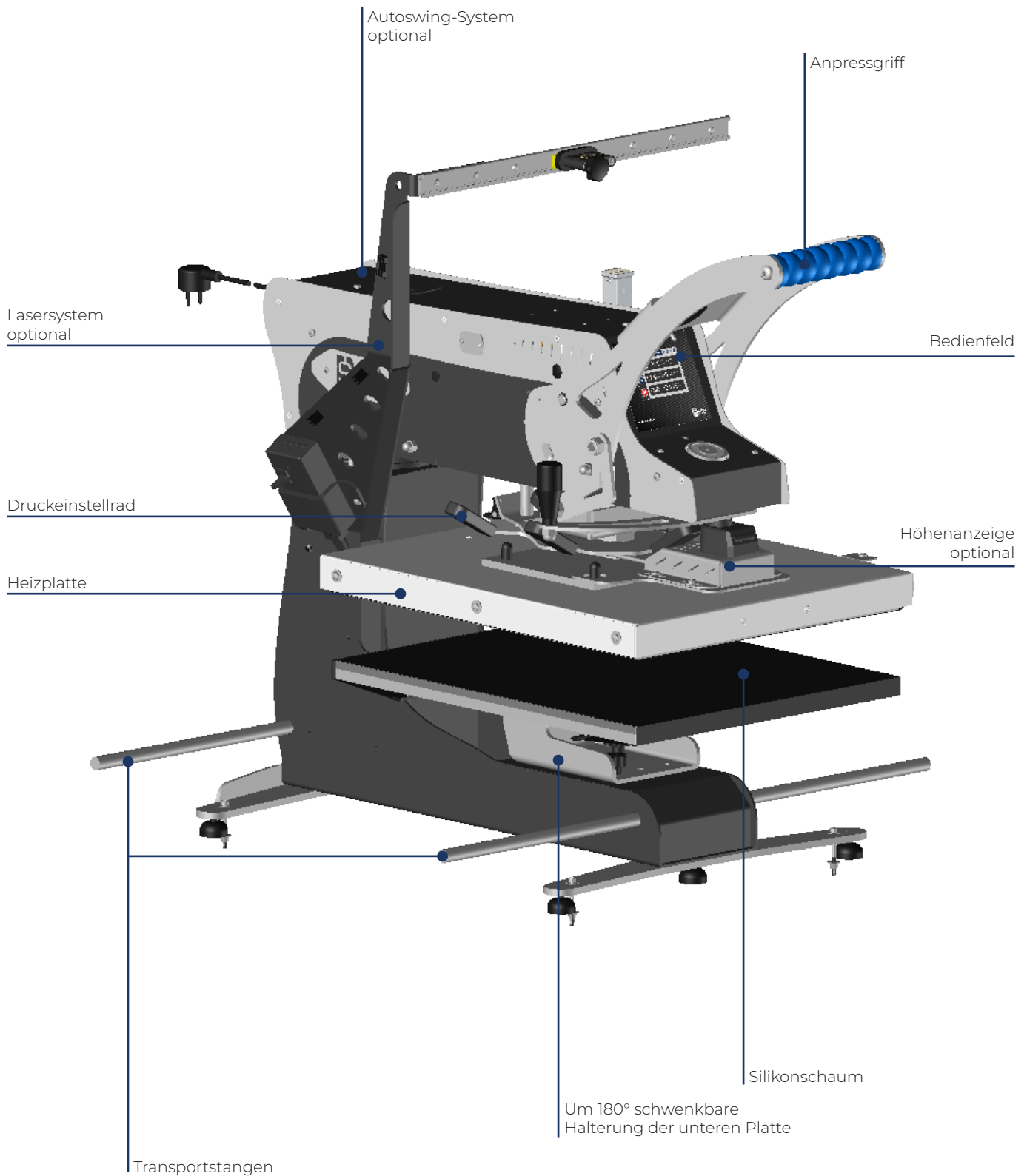
Technische Daten	
Gewicht in Betriebszustand	68 kg
Höhe	674 mm
Tiefe	947 mm
Breite	569 mm
Größe der Platte	400 x 500 mm
Spannungsversorgung	220/240 V single phase + ground 50/60 Hz
Leistung	Pro : 3200 W / Lite - One : 2500 W
Stromaufnahme	Pro : 14 A / Lite - One : 11 A
Spannungsversorgung (US Version)	110/120 V single phase + ground 50/60 Hz
Leistung (US Version)	1750 W
Stromaufnahme (US Version)	16 A
Elektronische Temperaturregelung	
Präzision	+/- 1%
Einstellbereich	0 °C - 220 °C
Elektronischer Timer	
Präzision	+/- 1%
Einstellbereich	0 s - 59 min 59 sec
Einsatzbedingungen	
Geräuschpegel	< 70 dB (A)
Umgebungstemperatur beim Einsatz	10 °C - 35 °C
Rel. Luftfeuchtigkeit	< 90%
Max. Anpressdruck	590 g/cm ²

Nicht vertragliches Dokument: Durch technische Fortschritte bedingte Änderungen unserer Produkte bleiben vorbehalten.

ALLGEMEINES

Diese Thermotransferpresse wurde für intensive Produktion ausgelegt. Sie entspricht Artikel L 233-5 der französischen Arbeitsgesetzgebung zur Gewährleistung der Sicherheit des Benutzers.

Sie ist für einen ihr gegenüber arbeitenden Bediener vorgesehen.



SICHERHEIT

Es wird empfohlen vor Beginn der Arbeiten mit der Presse aufmerksam die Bedienungsanleitung durchzulesen. Die Presse muss von einer für ihre Bedienung zugelassenen Person verwendet werden, welche über die mit einer falschen Verwendung des Geräts einhergehenden Risiken in Kenntnis gesetzt worden ist. Die von unseren Technikern im Werk vorgenommenen elektrischen, mechanischen und pneumatischen Einstellungen und die auf der Presse eingebauten Sicherheitsvorrichtungen dürfen auf keinen Fall geändert werden. Bei Zuwiderhandlung verweigert die Firma SEFA jegliche Verantwortung für eventuelle mit der Presse verbundene Probleme.

DIESES GERÄT IST ZUR VERWENDUNG DURCH EINEN EINZIGEN BENUTZER VORGESEHEN

a. Internationale Symbole



AUSSCHALTUNG

EINSCHALTUNG



GEFAHR, WARNUNG



HEISSE FLÄCHE



GEFAHR EINES ELEKTRISCHEN SCHLAGS

b. Wichtige Punkte

Persönliche Schutzausrüstung tragen (zum Beispiel Handschuhe und Schutzbrille). Bei der Verwendung des Geräts nicht dessen heiße Teile berühren. Am in Betrieb genommenen Gerät nicht zwischen die Platten greifen. Beim Handling des Geräts darauf achten, dass für die Person, welche die Arbeiten durchführt, keine Gefahr von Verbrennungen, elektrischem Schlag oder anderem besteht. Täglich vor dem Start der Produktion eine Inspektion des Geräts vornehmen. Vor der Inbetriebnahme sicherstellen, dass sich niemand im Umfeld des Geräts befindet. Bei jeglichen Störungen des Geräts sofort die Energieversorgung unterbrechen und mittels der Angaben im Kapitel «Wartung» der vorliegenden Anleitung die Fehlerursache auffinden..



c. Auf dem Gerät vorhandene Sicherheitsvorrichtungen

Die Schutz- und Sicherheitsvorrichtungen dürfen nicht geändert werden. Werden sie eventuell für Wartungsmaßnahmen abgebaut, so müssen Sie nach Abschluss der Arbeiten wieder montiert werden. Sie müssen bei normalem Betrieb in gutem Zustand in Stellung gehalten werden.

VERWENDUNG

a. Installation des geräts

DURCH QUALIFIZIERTES PERSONAL VORZUNEHMEN



DAS GERÄT NICHT AN DEN PLATTEN ERGREIFEN !



Die Spannbänder der Kiste durchschneiden und die den Deckel und die Haube haltenden Schrauben entfernen.

Dann den Deckel und die Haube von der Kiste wegnehmen.

Den das Gerät schützenden Kunststoffbeutel wegnehmen.

Die Holzschrauben, mit denen das Gerät auf der Palette befestigt ist, wegnehmen.

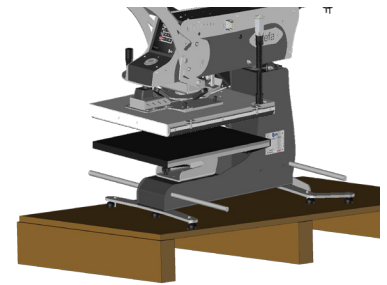
Nach Entfernen der Verpackung mit Hilfe des mitgelieferten 4-mm-Stiftschlüssels die Sicherungsschraube entfernen.

Das Gerät mittels seiner Transportstangen auf einem stabilen und nivellierten Tisch positionieren und dort befestigen.

Die oberen und unteren Platten positionieren und befestigen, soweit dies noch nicht geschehen ist.

Die Transportstangen wegnehmen und mit der Kiste des Geräts für eventuelle spätere Transporte aufbewahren.

Vor der Wegnahme von Sicherungsschraube und Verpackung die Fußverlängerung montieren.



b. Inbetriebnahme

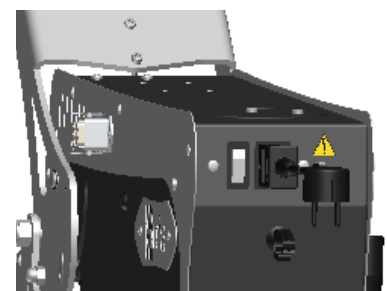
Das Gerät mittels des mitgelieferten Netzkabels an der Spannungsversorgung anschließen.

Den Schalter auf der Rückseite des Auslegerarms auf « 1 » stellen.

Auf dem Touchscreen kommt das Bedienfeld zur Anzeige.

Dieses Gerät muss von qualifiziertem Personal benutzt werden.

Bei der Einschaltung sind die Temperaturreglung, die Elektronik und die Stromversorgungen in Betrieb.

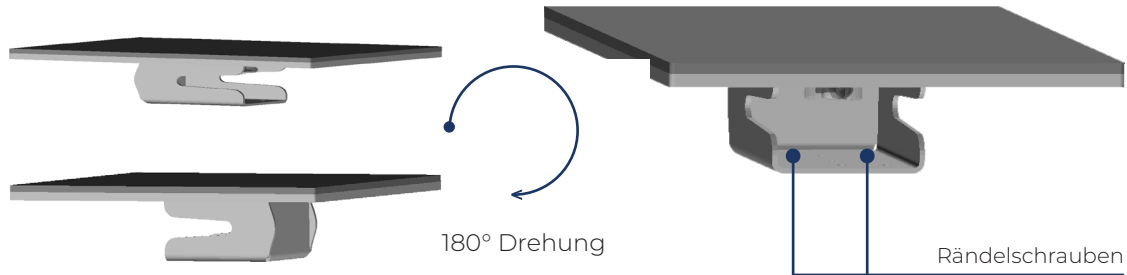


c. Wahl der arbeitsrichtung

Diese Presse wird serienmäßig mit einer um 180° schwenkbaren Halterung der unteren Platte geliefert, mit deren Hilfe die zu bearbeitenden Teile von der Vorder- oder Rückseite des Geräts eingeführt werden können.

Zur Umkehr der Richtung der Halterung:

- Die beiden Rändelschrauben zwischen Halterung und unterer Platte lösen.
- Die Halterung um 180° schwenken.
- Die beiden Rändelschrauben unter der unteren Platte wieder festschrauben.



d. Höheneinstellung der heizplatte

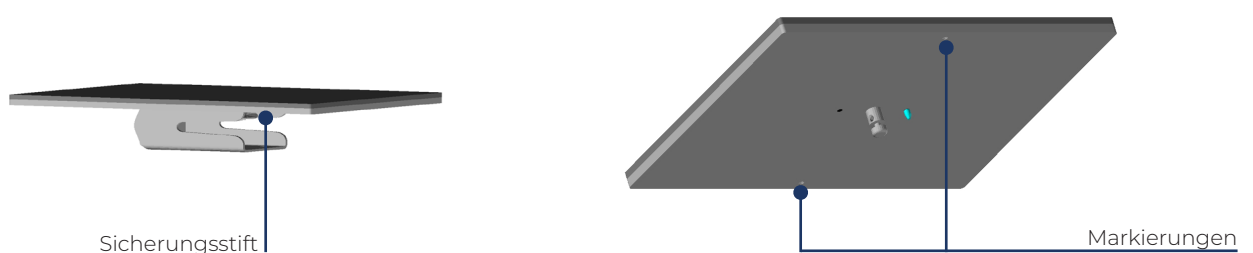
Der von der Heizplatte ausgeübte Druck kann den Anforderungen des Benutzers gemäß geändert werden. Es ist auch möglich durch vollständiges Absenken der kalten Platte einen Zwischenraum zwischen den Platten zu lassen (maximaler Abstand in Arbeitsposition: 17 mm).

1. Den Festhaltehaken aushaken.
2. Zum Senken der Heizplatte (und zum Erhöhen der Anpresskraft) das Einstellrad im Uhrzeigersinn drehen.
3. Zum Verringern der Anpresskraft in entgegengesetzter Richtung drehen.
4. Eine optional verfügbare Positionsanzeige ermöglicht eine Ablesung der Höhe und somit des eingestellten Drucks.
5. Nach vorgenommener Druckeinstellung den Festhalte-Haken wieder einrasten.



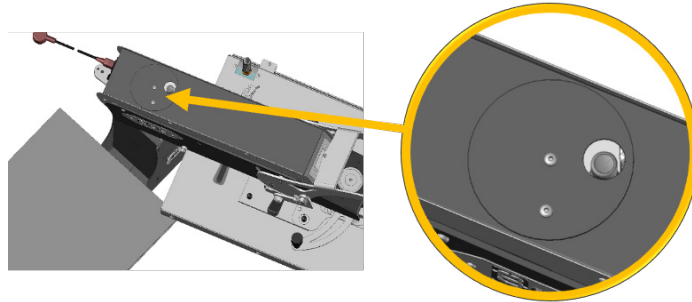
e. Wechseln der arbeitsplatte

Zum leichteren Auswechseln der unteren Platte sind unter derselben zwei Markierungen vorhanden, um sie richtig ergreifen und nach oben wegheben zu können.



f. Auto-swing (pro version)

1. Den Kopf des Geräts vollständig nach rechts schwenken.
2. Zur Aktivierung des Autoswing-Systems die Haube drehen und auf den Knopf drücken.
3. Zur Deaktivierung des Autoswing-Systems den Kopf des Geräts vollständig nach rechts schwenken, die Haube drehen und auf den Knopf drücken.



g. Funktionszyklus

Rotex One

1. Den zu bedruckenden Artikel auf der unteren Platte platzieren.
2. Die Transferfolie anpassen.
3. Den Arm über die Platte schieben, an der gearbeitet wird.
4. Die Heizplatte mittels des Griffs senken.
5. Nach Herabfahren der Heizplatte startet der Timer.
6. Nach Ablauf der am Timer eingestellten Zeit ertönt der Signalton der Presse.
8. Die Heizplatte mittels des Griffs hochfahren.
9. Den Arm von der Arbeitsfläche wegschieben.
10. Das Ganze ab Schritt 1 wiederholen.

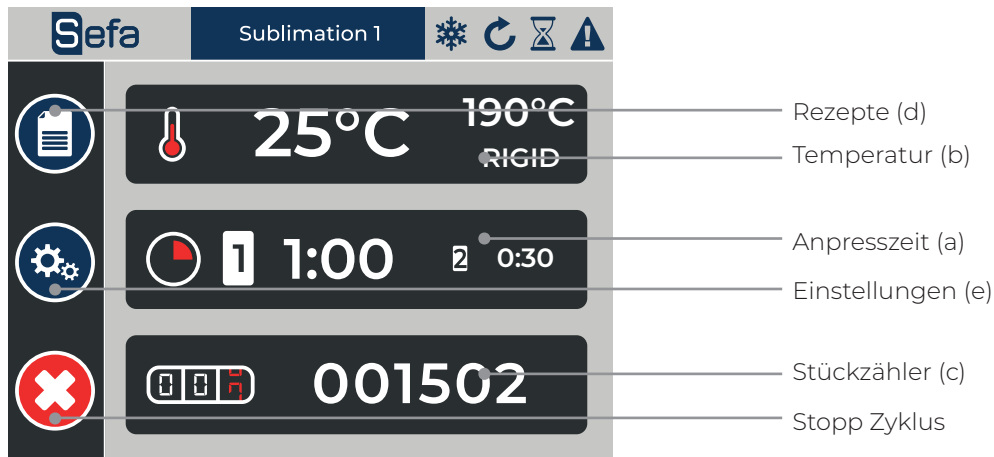
Ein laufender Zyklus kann durch Drücken der Stopp-Taste auf dem Display abgebrochen werden.

Rotex Lite / Pro

1. Den zu bedruckenden Artikel auf der unteren Platte platzieren.
2. Die Transferfolie anpassen.
3. Den Arm über die Platte schieben, an der gearbeitet wird.
4. Die Heizplatte mittels des Griffs senken.
5. Nach Herabfahren der Heizplatte startet der Timer.
6. Nach Ablauf der am Timer eingestellten Zeit ertönt der Signalton der Presse.
8. Die Heizplatte fährt automatisch wieder hoch.
9. Den Arm von der Arbeitsfläche wegschieben.
10. Das Ganze ab Schritt 1 wiederholen.

Ein laufender Zyklus kann durch Drücken der Stopp-Taste auf dem Display abgebrochen werden.

SMART TOUCH ® BEDIENDISPLAY

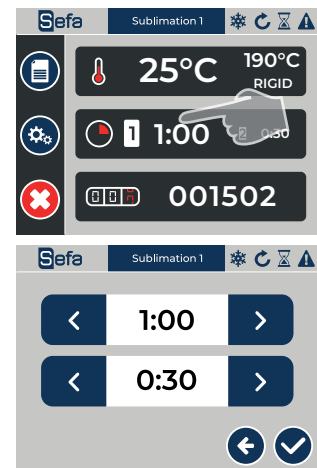


a. Anpresszeit

Nach Wahl dieses Menüs kann die Anpresszeit des Geräts eingestellt werden.

Dieser Wert kann mit den zu seiner Linken und Rechten befindlichen Pfeilen vermindert oder erhöht werden.

Es können 2 aufeinanderfolgende Anpresszeiten eingestellt werden (siehe „Einstellungen (e)“). Zum Ändern der Anpresszeit kann auch auf ihren Wert getippt und dann die genau gewünschte Zeit auf dem zur Anzeige kommenden Zahlenfeld eingegeben werden. Zur Bestätigung des eingegebenen Werts die in der unteren rechten Ecke des Displays befindliche Taste drücken.



b. Temperatureinstellung

Nach Wahl des Temperaturmenüs kann in gleicher Weise wie für die Anpresszeit der angezeigte Wert mit den zu seiner Linken und Rechten befindlichen Pfeilen auf den gewünschten Wert geändert werden. Man kann jedoch auch auf den angezeigten Wert tippen und diesen dann mit der Zahlentastatur ändern. Für Temperaturen unter 100°C zunächst eine 0 eingeben und dann den gewünschten Wert tippen (z. B.: 090°C).

Dann aus den drei verfügbaren Anpressprogrammen (TEXTILE, RIGID oder DTG) das für das zu bedruckende Material geeignete wählen und die Bestätigungstaste drücken, um es zu übernehmen.



c. Stückzähler

Hier kann die Anzahl der von der Maschine bearbeiteten Objekte abgelesen werden. Nach Antippen dieser Schaltfläche kommen 2 nachstehend beschriebene Zähler zur Anzeige.

Der erste Zähler zeigt die im jeweiligen Arbeitsabschnitt gepressten Objekte und kann durch Drücken des auf seiner Rechten befindlichen Pfeils auf Null zurückgesetzt werden.

Der zweite Zähler zeigt die Gesamtzahl der vom Gerät seit seiner ersten Inbetriebnahme gepressten Stücke und kann nicht zurückgesetzt werden.



d. Rezepte

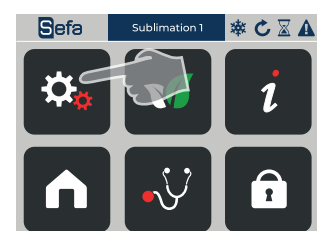
Nach Antippen der „Rezepte“-Schaltfläche (d) kommt das nebenstehende Menü zur Anzeige. Mit den Pfeilen nach rechts und links kann eines von 10 voreingestellten Rezepten gewählt werden. Zur Verwendung (zum Laden) eines Rezepts ist auf das Diskettensymbol mit Rechtspfeil zu drücken. Anschließend kann durch Drücken des in der linken unteren Ecke befindliche Linkspfeils zum Hauptmenü zurückgekehrt werden. Um ein Rezept neu zu schaffen oder ein vorliegendes Rezept zu ändern, sind zunächst die Anpresszeit und die Temperatur auf dem Hauptmenü einzustellen und dann im Rezept-Menü (d) dessen Speicherplatz (zwischen 1 und 10) zu wählen. Zum Ändern der Bezeichnung eines Rezepts auf das Bleistift-Symbol tippen, einen neuen Namen wählen und mit dem Pfeil in der rechten unteren Ecke der Anzeige bestätigen. Abschließend zum Speichern der Neueinstellung auf das Diskettensymbol mit Linkspfeil drücken.

Steht vor dem im Anzeigeband sichtbaren Namen des Rezepts ein Stern (*), so teilt dies dem Benutzer mit, dass die aktuellen Einstellungen des Rezepts nicht seinen ursprünglichen Werten entsprechen und dass diese Einstellungen nicht im Rezept gespeichert sind.



e. Einstellungen

Nach Drücken auf das entsprechende Symbol (e) im Hauptmenü erfolgt Zugang zu den Einstellungen des Geräts. 6 Einstellmöglichkeiten kommen zur Anzeige. Über die Zahnrad-Schaltfläche können die technischen Aspekte des Geräts geändert werden.





- Hier kann gewählt werden, ob bei jedem Antippen des Displays ein Ton erzeugt wird oder nicht.
- Hier kann gewählt werden, ob, wenn sich die Anpresszeit ihrem Ende nähert, ein Alarm aktiviert werden soll.
- Schaltet die Temperatureinheit zwischen Grad Celsius und Fahrenheit um.
- Ermöglicht die Aktivierung eines anderen Timers für die Anpresszeit, wonach es möglich ist im Menü der Anpresszeit zwei Zeiten zu wählen.
- Der Linkspfeil erlaubt Rückkehr zum vorangehenden Menü und der Rechtspfeil Umschalten zu weiteren Einstellungen.
- In der oberen linken Ecke wird angezeigt, dass das Gerät im festgelegten Temperaturintervall anpresst. Zur Einstellung des Intervalls auf diese Schaltfläche drücken und die beiden gewünschten Temperaturen eingeben. Ein nicht blockierender Alarm kommt zur Anzeige. Beim zweiten Anpressen wird er nicht berücksichtigt und erlaubt das Arbeiten auch bei nicht erreichtem Sollwert.
- Dieses Symbol wird verwendet, um die Helligkeit des Bildschirms anzupassen.
- Der Pfeil nach links bringt Sie zurück zum vorherigen Menü.

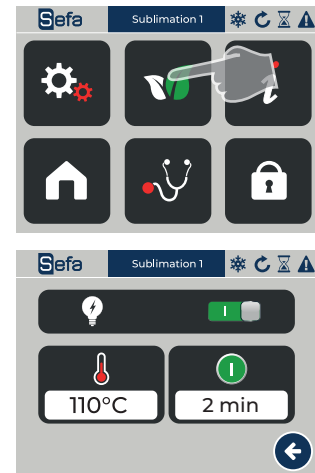
f. Andere Einstellungen

Nach Antippen des grünen Blattsymbols kann der Energiesparbetrieb eingestellt werden. Der Bediener kann 2 Energiesparbetriebe einschalten :

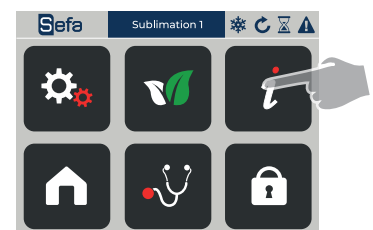
- Verlängertes Standby
 - ▶ Standby-Einschaltzeit
 - ▶ Zeit der Wiedereinschaltung der Heizung
- Kurzes Standby
 - ▶ Standby-Temperatur (von 40°C (104°F) bis 140°C (284°F))
 - ▶ Zeit ohne Aktivitäten vor Schalten auf Standby.

Das Umschalten auf Energiesparbetrieb erfolgt nur bei Anzeige des Empfangsmenüs. Es wird angenommen, dass, wenn der Benutzer das Gerät auf einem anderen Menü lässt, Änderungen im Gang sind und das Gerät nicht auf Energiesparmodus umschalten darf.

Zum Verlassen des Energiesparbetriebs genügt es, auf den Bildschirm zu tippen oder einen Zyklus zu starten.






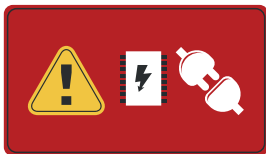
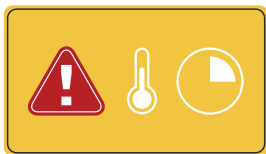
Die ein kleines „i“ anzeigende Schaltfläche oben rechts gibt Zugang zu wichtigen Informationen zur Software-Version und Angaben über SEFA.



Die Diagnose-Schaltfläche ermöglicht die Anzeige des Gerätezustands und des Vorliegens eventueller Störungen. Im Fehlerfall wenden Sie sich bitte an die Kundendienstabteilung Ihres Händlers.



g. Liste der Alarm-/Ereignisanzeigen

Alarm 01: Sensor PT100		Sensor liefert kein Signal (Sensor oder Kabel). Die Regelung der Heizung wird augenblicklich ausgeschaltet.
Alarm 02: Überhitzung, Temperatur über 220°C		Temperatur von über 230°C gemessen. Die Regelung der Heizung wird augenblicklich ausgeschaltet.
Alarm 06 : Platte hochfahren		Obere Endstellung beim Hochfahren nicht vor Ablauf der für das Hochfahren der Platte festgelegten maximalen Dauer erkannt.
Alarm 10: Kommunikationsproblem		Kommunikation zwischen Leistungs- und Bildschirmdkarte unterbrochen. Mit dem Verkäufer des Geräts in Verbindung treten.
Alarm 13: Temperatur nicht erreicht		Bei Erhöhen oder Senken der Temperatur erfolgt Auslösung vor Erreichen eines Werts von 30°C unter oder über dem Sollwert.

Zur Quittierung des Fehlers auf den roten oder orangen Bereich tippen.

WARTUNG

DURCH QUALIFIZIERTES PERSONAL VORZUNEHMEN

ALLE WARTUNGSARBEITEN MÜSSEN AM ABGESCHALTETEN UND GESICHERT VON SEINER VERSORGUNG GETRENNTEN GERÄT Vorgenommen werden (GERÄT VON STROM- UND DRUCKLUFTVERSORGUNG GETRENNT)

Es wird empfohlen, folgende Werkzeuge bereit zu halten:

- Flach- und Kreuzschlitzschraubenzieher
- Satz Gabel- und Steckschlüssel
- Satz Stiftschlüssel
- Universalmessinstrument

a. Austausch abgenutzter teile

- Silikonschaummatte

Sicherstellen, dass die Platte kalt ist

Die Plattenoberfläche muss sehr sauber sein.

Eventuell Seifenlauge verwenden und dazu geeignete Schutzausrüstung tragen.

Um die Schaumstoffmatte auf die Aluminiumplatte zu kleben, eine Tube 1-Komponenten-Silikonklebstoff (RTV-1) verwenden (Hinweis: Die Anweisungen auf der Verpackung der Tube lesen).

Vor jeglichem Kleben müssen Matte und Platte trocken und sauber sein.

Eine dünne, gleichmäßige Klebstoffschicht auf der Platte auftragen und die Matte sofort anlegen und darauf achten, dass keine Luftblasen verbleiben. (Hinweis: Zum Auftrag des Klebstoffs ist eine gezahnte Spachtel (wie zum Fliesenlegen) gut geeignet.)

Das Ganze dann über Nacht bei Zimmertemperatur leicht angepresst ohne Erwärmung aushärten lassen.

- Für Austausch oder Reparatur anderer Teile treten Sie bitte mit dem Verkäufer des Geräts in Verbindung.

b. Instandhaltung

Die SEFA-Thermotransferpressen erfordern praktisch keine Wartung. Zur Sicherung ordnungsgemäßen Betriebs die nachstehenden vorbeugenden Maßnahmen befolgen:

Keine Gegenstände erhitzen, welche die Silikonmatte schädigen oder zerschneiden oder die Teflonbeschichtung der Heizplatte beschädigen können.

Das Gerät regelmäßig bei kalter Platte mit einem sauberen Lappen und Seifenlauge reinigen. Dabei geeignete Schutzausrüstung tragen.

Die Heizplatte, wenn sie warm ist und nicht benutzt wird, in hochgefährlicher Position lassen.

TÄGLICH :

Den Schaumstoff und die Beschichtung der Heizplatte (in kaltem Zustand) mit einem trockenen Lappen, eventuell mit Entfettungsmittel, reinigen.

Den Filter am Luftanschluss auf der linken Seite des Auslegerarms prüfen, eventuelles Kondensat ablassen.

MONATLICH :

Die Schmierung der Gelenkverbindungen überprüfen.

Je nach Verwendung:

Den Schaumstoff alle 6 Monate auswechseln.

RATSCHLÄGE FÜR SCHNELLE EINGRIFFE

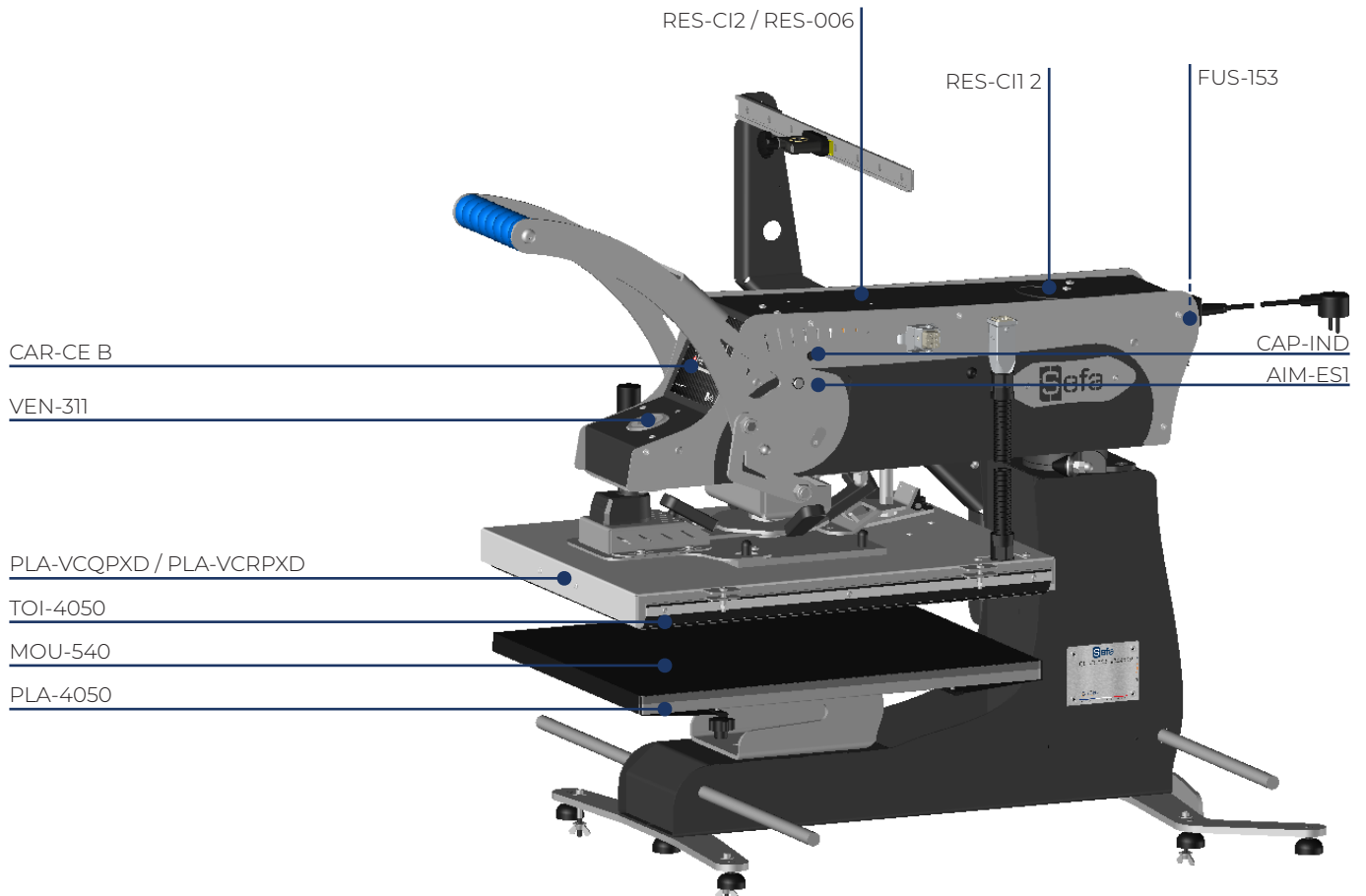


Alle Instandsetzungen müssen am abgeschalteten, gesichert von der Strom- und Druckluftversorgung getrennten Gerät erfolgen. Die Heizplatte kann Verbrennungen verursachen. Vor jeglichen Eingriffen muss sich der Bediener an der Temperaturanzeige überzeugen, dass die Temperatur unter 25°C gesunken ist.

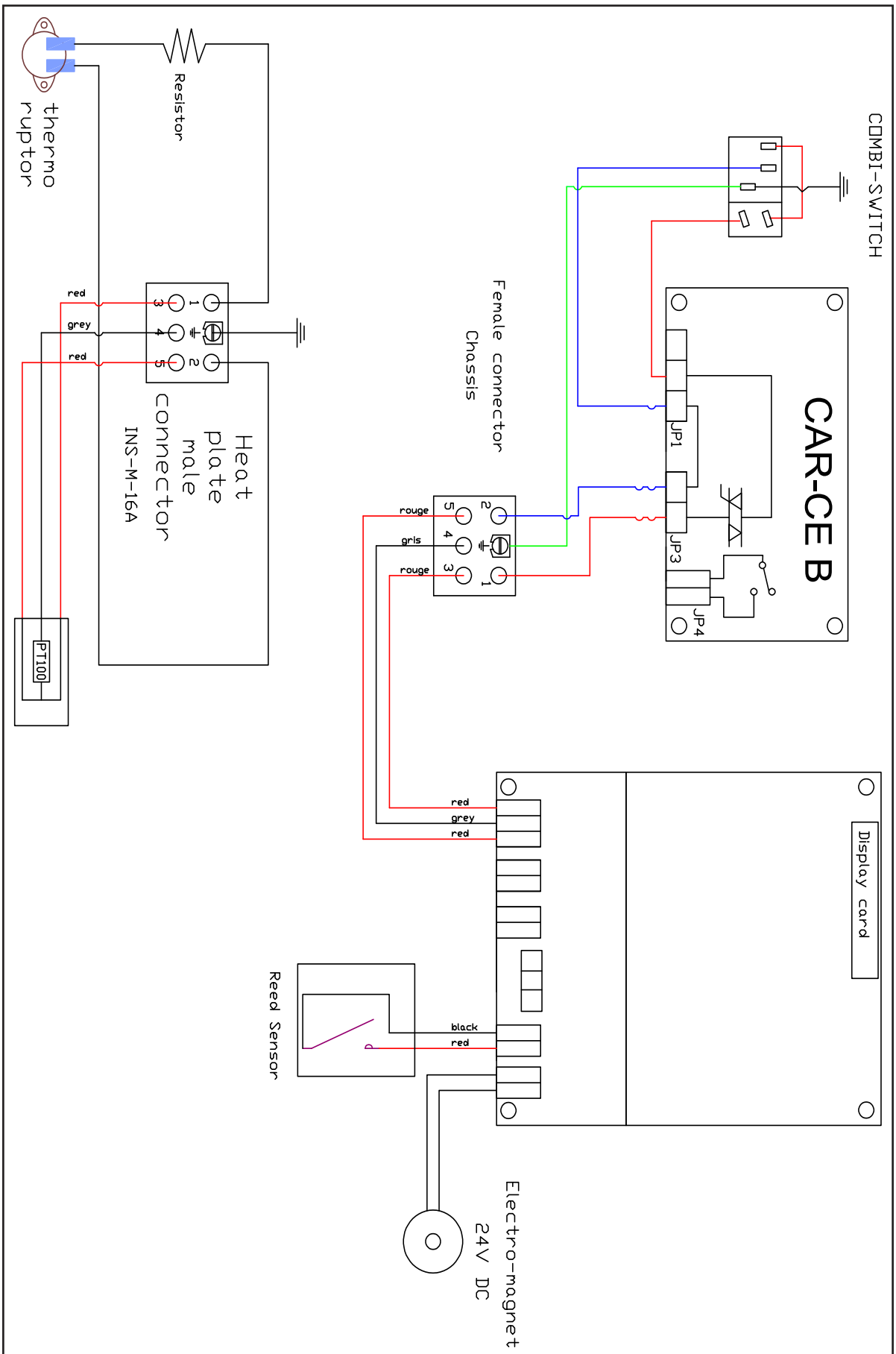
Symptom	Mögliche Pannen	Fehlerbehebung
Das Gerät schaltet nicht ein.	Netzstecker nicht angeschlossen. Hauptschalter nicht eingeschaltet. Hauptsicherung ist durchgebrannt.	Netz und Anschluss des Geräts am Netz überprüfen. Den Hauptschalter (Ein/Aus) auf I stellen. Sie befindet sich in einem Halter neben dem Netzanschluss. Zum Auswechseln das Netzkabel abziehen und den Sicherungshalter mit der Spitze eines Schraubenziehers herausheben. Die Ersatzsicherung findet sich im rechteckigen Halter. Sie herausnehmen und an Stelle der zwischen den Kontakten befindlichen einsetzen.
Die Platte heizt nicht mehr.	Heizelement ausgefallen. Problem mit Karte. Zu niedrige Temperatureinstellung.	Anschlüsse und Zustand der Leiter prüfen. Zum Ausbau der Heizplatte mit dem Verkäufer des Geräts in Verbindung treten. Die auf dem Display angezeigten Meldungen zur Kenntnis nehmen und in der Anleitung der Karte nachsehen. Zur Änderung dieses Werts siehe Kapitel 5.
Die Platte heizt zu stark.	Problem mit Karte oder Temperaturmessfühler.	Die auf dem Display angezeigten Meldungen zur Kenntnis nehmen und in der Liste der Fehlermeldungen nachsehen. Mit dem Verkäufer des Geräts in Verbindung treten.
Der Timer funktioniert nicht.	Der Endstellungsschalter des Auslegerarms ist nicht aktiviert oder fehlerhaft. Problem mit Karte.	Ihre Anschlüsse prüfen. Die auf dem Display angezeigten Meldungen zur Kenntnis nehmen und in der Anleitung der Karte nachsehen.
Die Platte fährt nicht herunter.	Drehachsen festgefressen oder zu stark angezogen. Gasfedern blockiert.	Sie schmieren oder etwas lösen. Sie prüfen, jedoch nicht versuchen sie zu öffnen: Gefahr durch hohen Druck. Für eventuellen Austausch mit dem Verkäufer des Geräts in Verbindung treten.
Die Platte bleibt nach dem Anpressen in niedriger Position.	Gasfedern blockiert. Der Timer funktioniert nicht.	Wegen eines Lecks reicht der Druck der Gasfedern nicht aus, um das Hochfahren der Platte zu sichern. Sie prüfen, jedoch nicht versuchen sie zu öffnen: Gefahr durch hohen Druck. Für eventuellen Austausch mit dem Verkäufer des Geräts in Verbindung treten.

SPARE PARTS

Reference	Description	Quantity
ELECTRICAL PARTS		
CAR-CE B	BASIC CONTROL POWER BOX	1
PLA-VCQPXD	HEAT PLATEN 400x500mm 220 V 2500 W (EU VERSION - ONE & LITE)	1
PLA-VCRPXD	HEAT PLATEN 400x500mm 220 V 3200 W (EU VERSION - PRO)	1
PLA-VCQPXD-110V	HEAT PLATEN 400x500mm 110 V 1750 W (US VERSION)	1
AIM-ES1	TRAVEL LIMIT MAGNET	1
CAP-IND	INDUCTION LIMIT SENSOR	1
VEN-311	ELECTROMAGNETIC SUCTION CUP (LITE & PRO)	1
FUS-153	16A FUSE	2
MECHANICAL PARTS		
RES-C11 2	AUTOSWING GAS-OPERATED SPRING (PRO VERSION)	1
RES-C12	GAS-OPERATED SPRING (LITE & PRO)	2
RES-006	GAS-OPERATED SPRING (ONE)	2
PRESS COVERINGS		
TOI-4050	TEFLON SHEET 400x500 mm	1
HOU-50	NOMEX COVER FOR STANDARD LOWER PLATES 400x500 mm	1
MOU-540	SILICONE FOAM 9.53 mm 400 x 500 mm	1
PLA-4050	ALUMINIUM LOWER PLATEN 400x500 mm	1



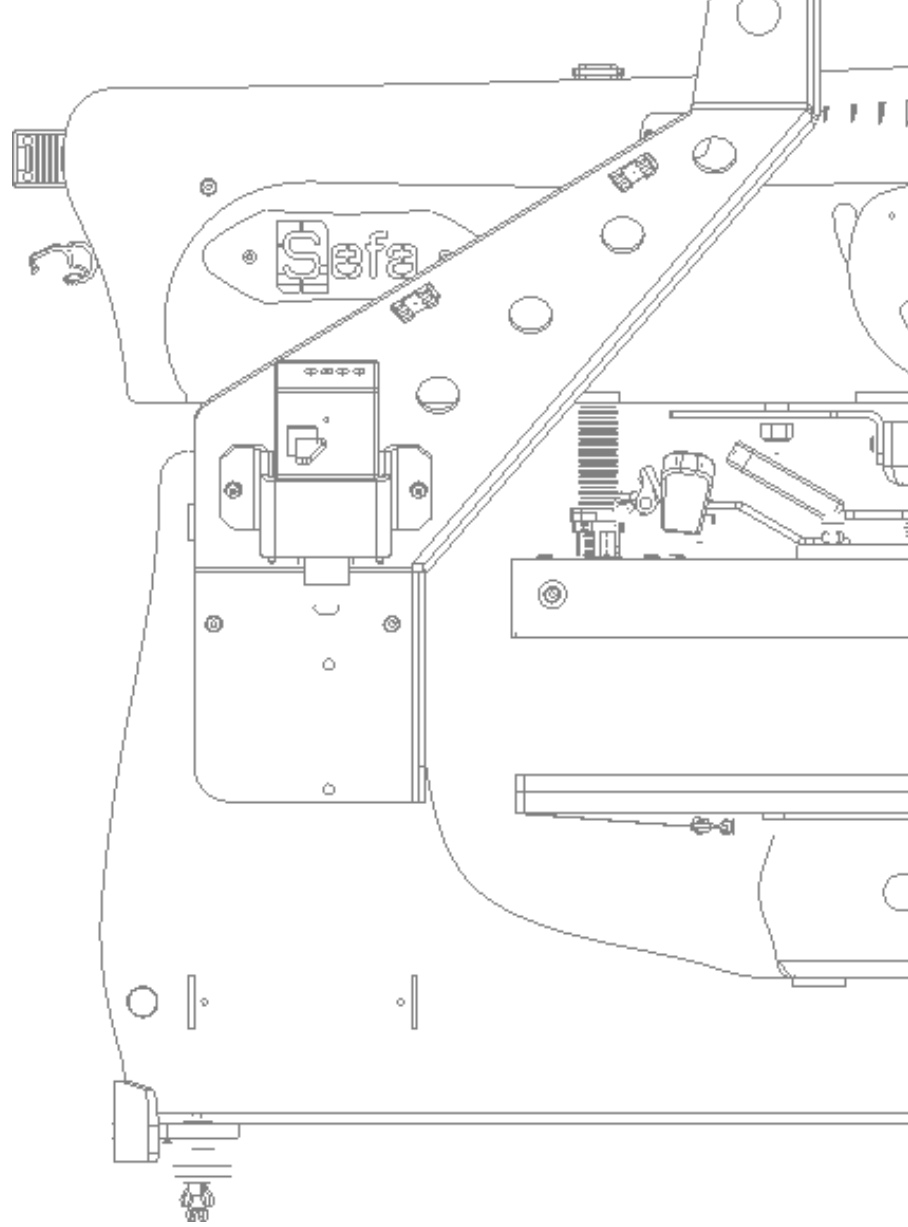
WIRING DIAGRAM



MAINTENANCE LOG

Date	Number of hours	Pressure check	Air filter check	Cylinder check	Condition of foam pad	Heating element check	Replaced parts	Observations

Tip - use the following abbreviations to help complete the log more quickly:
C: Checked W: Washed/Cleaned R: Replaced



Sefa

HEAT TRANSFER TECHNOLOGIES

SEFA
ZI PASTABRAC 11260 ESPERAZA FRANCE
TEL. +33 (0) 4 68 74 25 89
EMAIL: CONTACT@SEFA.FR
WEBSITE: WWW.SEFA.FR

TECHNICAL SUPPORT
EMAIL: SUPPORT@SEFA.FR

