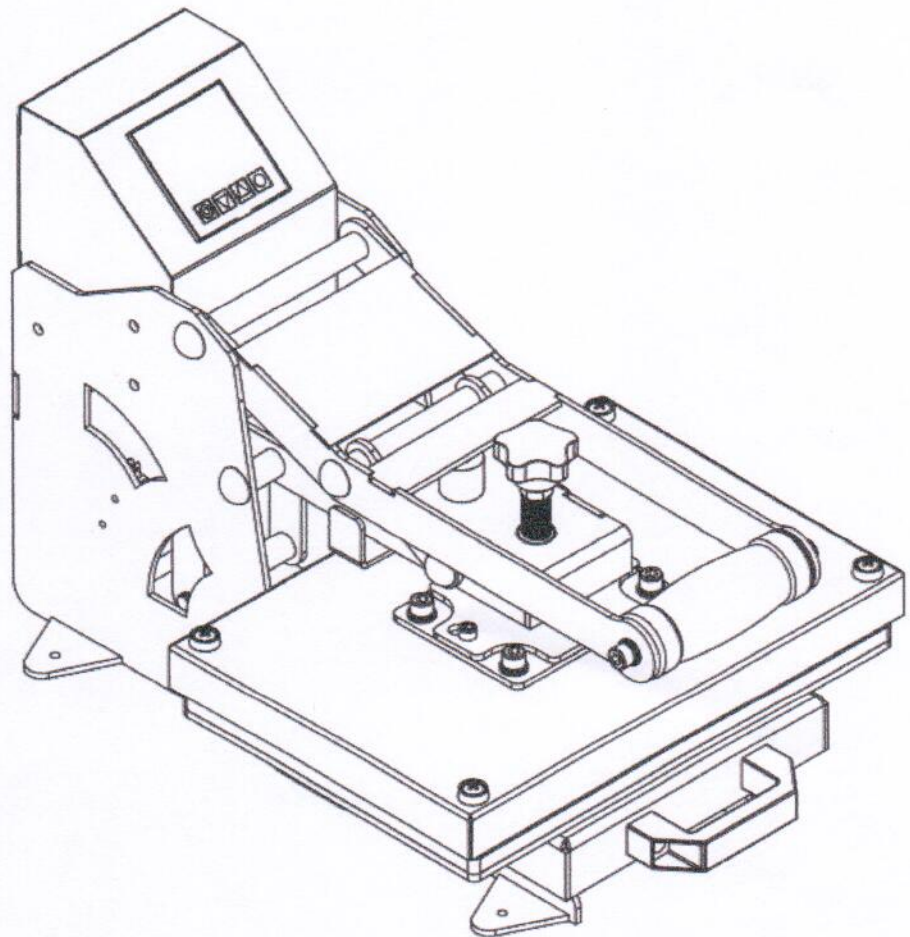




# **COS-HOBBY Digital Heat Press**

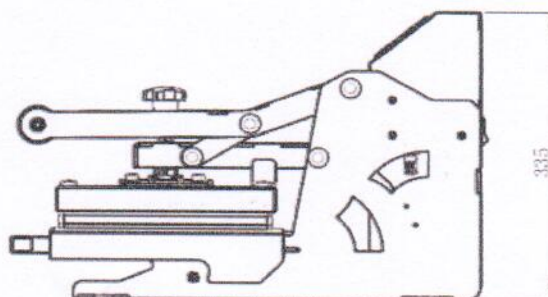
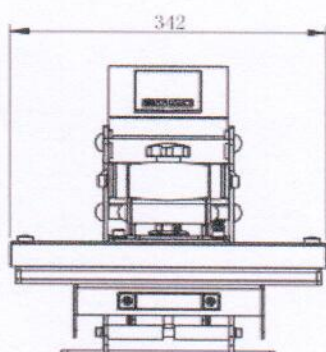
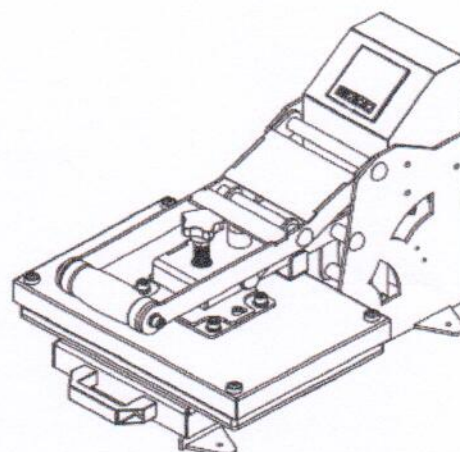
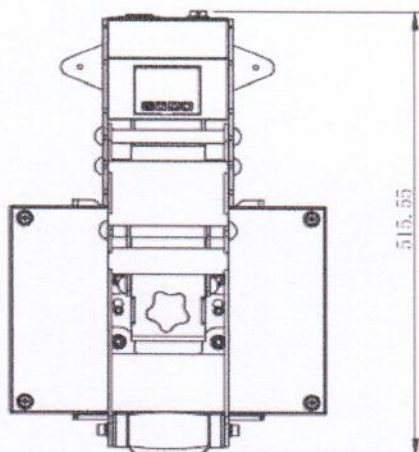
## **Manual**

**Model No.: COS-10A/B/C/D**





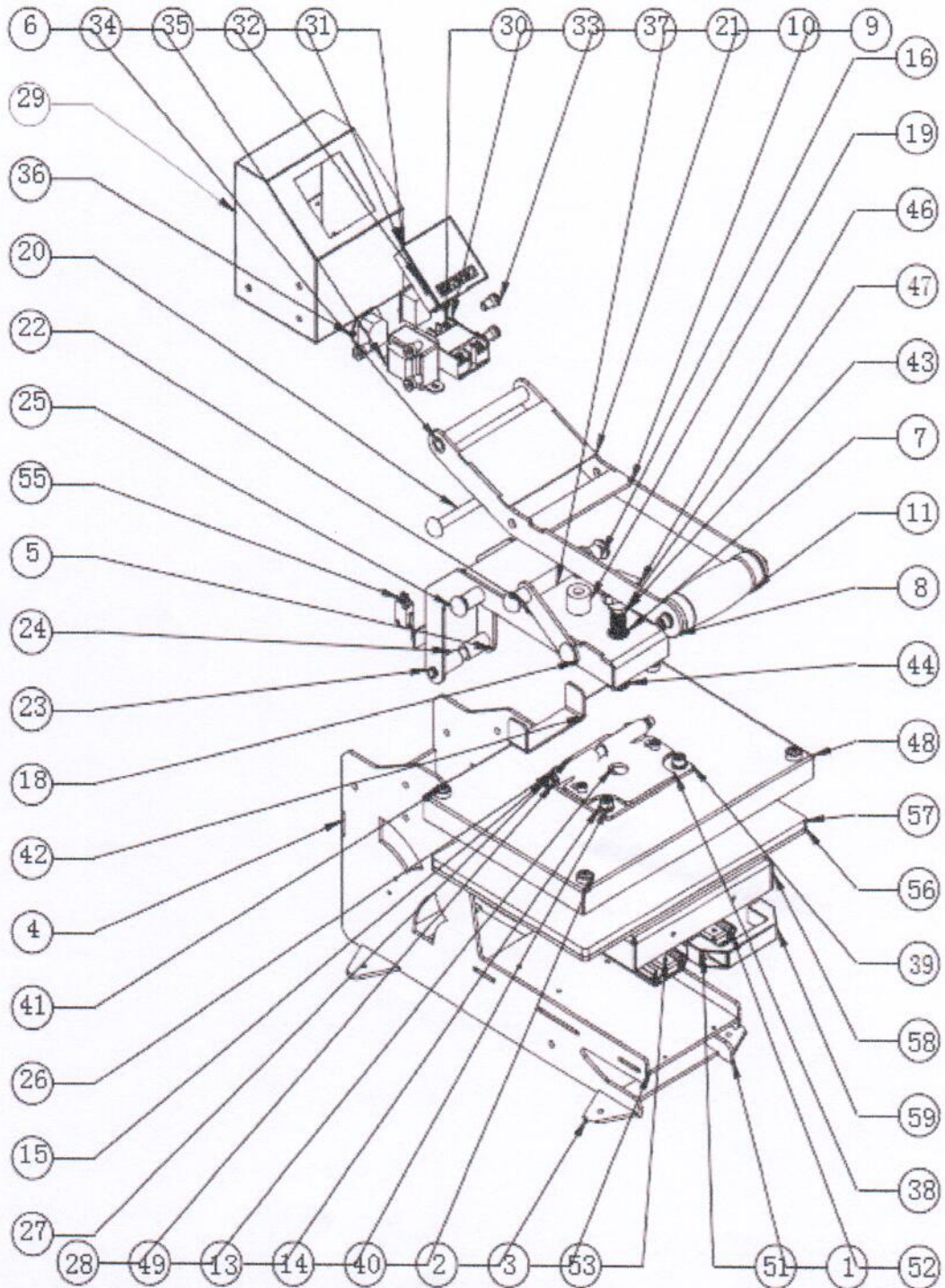
## I. Technical Parameters



1. Model: COS-HOBBY heat press machine
2. Machine size:515.5\*342\*335MM
3. Transfer MAX size:220\*320\*5MM
4. Voltage:120V single phase
5. Power:800W
6. Temperature Time Range:0-999  
Set time:30-280s,Temp:180-210°C
7. Packing size:615\*415\*440mm



## II. Explosion View





NO	Spare part name	Qty	NO	Spare part name	Qty
1	Rack left and right side panels COS	2	33	Small four-core aviation plug	2
2	Foot fixing plate COS	2	34	New transformer	1
3	Base plate fixing plate COS	1	35	Rocker switch	1
4	Rack connector COS	1	36	Suffix	1
5	Boom COS	1	37	BlindnietmutterM5_geschl	6
6	Boom welded casing COS	2	38	Adapter plate 1COS	1
7	M16 nut	1	39	Heating plate adapter plate COS	1
8	Left and right handles COS	2	40	Insulated plastic ring	4
9	Handle welded connecting plate COS	1	41	GB_CROSS_SCREWS_TYPE1 M6X8-8 H type-N	4
10	Electric box fixing plate COS	1	42	Anti-sway COS	1
11	EVA handle	1	43	M16 Adjustment screw 5	1
12	128 handle shaft	1	44	Adjustment nut 24	1
13	GB_FASTENER_WASHER_SMWC 8	6	45	40 gasket	1
14	GB_FASTENER_WASHER_CSLW 8	8	46	M10 adjustment hand wheel 9	1
15	GB_FASTENER_SCREWS_HSHCS M6X12-N	10	47	GB_FASTENER_NUT_SNAB1 M10-N	1
16	Handle pin COS	1	48	230305 cover COS	1
17	Boom pin COS	1	49	Die-casting heating plate 230330	1
18	Connecting piece COS	2	50	2030 heating tube COS	1
19	Limit excellent glue COS	1	51	Pulling the slide rail	2
20	Column latch COS		52	Slide intermediate plate	2
21	Connecting piece isolation race steel length COS	1	53	Rail center plate	2
22	Connecting piece isolation race steel short COS	1	54	GB_FASTENER_SCREWS_HSFP M6X16-N	2
23	Spring fixing pin COS	1	55	Limit switch	1
24	Spring isolation sleeve COS	2	56	Base plate 230305COS	1
25	10 rivets		57	230305 silicone pad COS	1
26	Spring front fixing pin COS	1	58	Base plate drawing board COS	1
27	Front spring isolation race steel COS	2	59	Aluminum alloy handle	1
28	GB_ROUND_WASHERS_TYPE7 6 2				
29	Electric box bending panel COS1	1			
30	Relay	1			
31	New temperature control table housing panel.SLDDRW	1			



### III. Maintenance

1. In order to prolong the machine service life, please add the lubrication oil on the joints regularly .
2. Turn off the power before changing spare parts. In order to ensure the accuracy of the parameter of GY-10 controller, please re-set the time and temperature.
3. To avoid damage, please keep the heaters well when change the spare parts. V. Trouble Shooting For Transfer Print Quality.

### V. Trouble shooting

1. After changing heat platen, time and temperature showing become abnormal:  
Solution: refer to manual and make time/temperature reset.
2. If the color is not as bright as photo after printing, please try below ways:
  - a. adding transfer time
  - b. increasing transfer temperature.
3. If the print color is too brown or the transfer paper is almost burnt: need to reduce the setting temperature.
4. If print color is different/ partial transfer effect is not good enough: the pressure is not enough / or not pressed long enough / or poor quality transfer paper.
5. If machine gets not working, please contact supplier as soon as possible to get technical support. And then deal with machine according to supplier's guidance



### IV. Circuit Diagram

