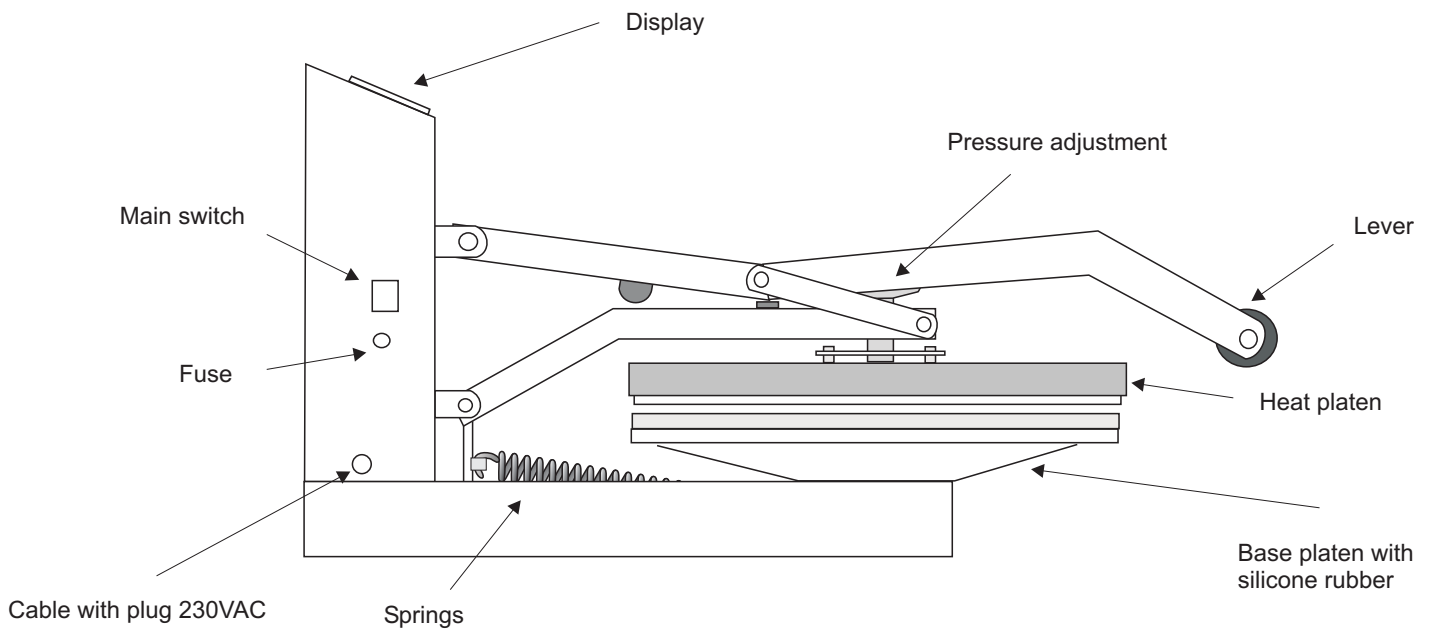


TECHNICAL DATA

Dimensions	40 x 40 x 30 cm
Weight	30 kg
Voltage	230VAC/ 1300W
Fuse	10A
Max. Temperature	220 °C
Temperature range	0 - 220°C
Pressure	0 -500 kg
Time	0 - 9:59 Min.
Max. Variation of temperature	-1 / +3 °C



SWITCH ON

This device may only be operated by trained staff after reading the OPERATOR's MANUAL.

Before you switch on the device for the first time, please check if your socket is in proper condition and if the grounding wire is connected properly.

The green toggle switch activates the press. The display shows the current temperature of the heat platen and the press will heat immediately until the indicated temperature is reached (LED 1 is shining).

PRESSURE ADJUSTMENT

You can change the pressure with the regulation screw upon the heat platen.
Make sure the press is open, when regulating the pressure.
Since you cannot read off the pressure you will have to regulate manually in the first place.
Afterwards you do a hardproof test and if necessary change the pressure accordingly.

ATTENTION

After each change you should close the press once to check the new pressure setting.
Damages due to excess pressure settings are excluded from the guarantee.

MAINTENANCE

All maintenance works should be done when the device is switched off.
You have to pull the plug out of the socket beforehand.

CLEANING

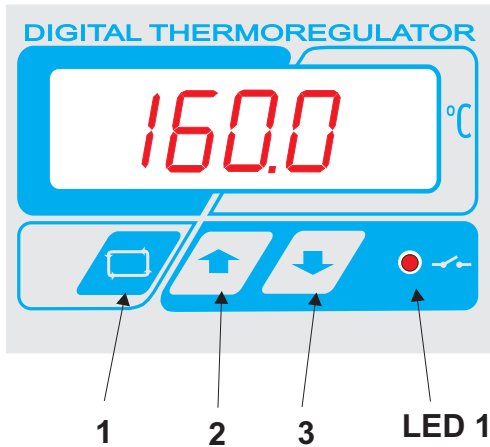
The device should be cleaned with a soft cloth. Use domestic dish washing liquid or window cleaning liquid.
Scrubbing sponges, solvents or petrol are not recommended.

REPLACEMENT of SILICONE PAD

The device has to be cold.
Remove old silicone pad completely from base platen.
Use a pallette knife to equally spread out temperature-resistant silicone. Then apply the new silicone pad.
Close the press (cold) with light pressure and let dry for 24h.

This press may only be operated by trained staff after reading the USER's MANUAL.

USER's MANUAL



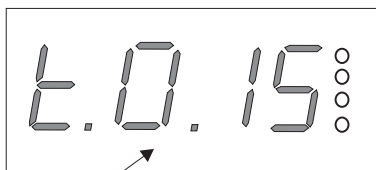
PROGRAMMING

1. Hold **button 1** for 5 seconds until LED 1 is blinking.
2. LED 1 is blinking and the display shows the preset **temperature**. Programming mode has been switched on.
3. Use buttons -2 or +3 to set new temperature.
4. Press button 1.
The display shows the preset time.
Change the time setting with buttons -2 or +3.
5. Press button 1 to switch off the programming mode.

CHECK TEMPERATURE AND TIME

TIME Press button 2, the preset time setting is shown on the display.
Max. time setting is 9 minutes 59 seconds.

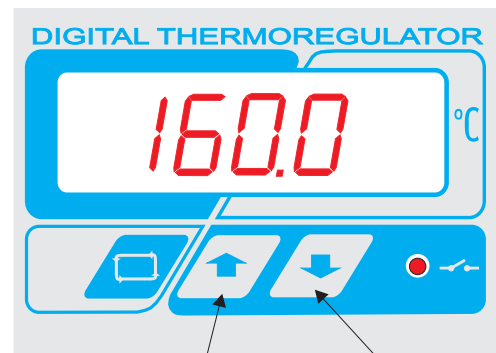
TEMPERATURE Press button 3, the preset temperature is shown on the display.



Minutes

Example:

The time setting is 15 seconds.



TEMPERATURE

TIME

Example: Settings for the press

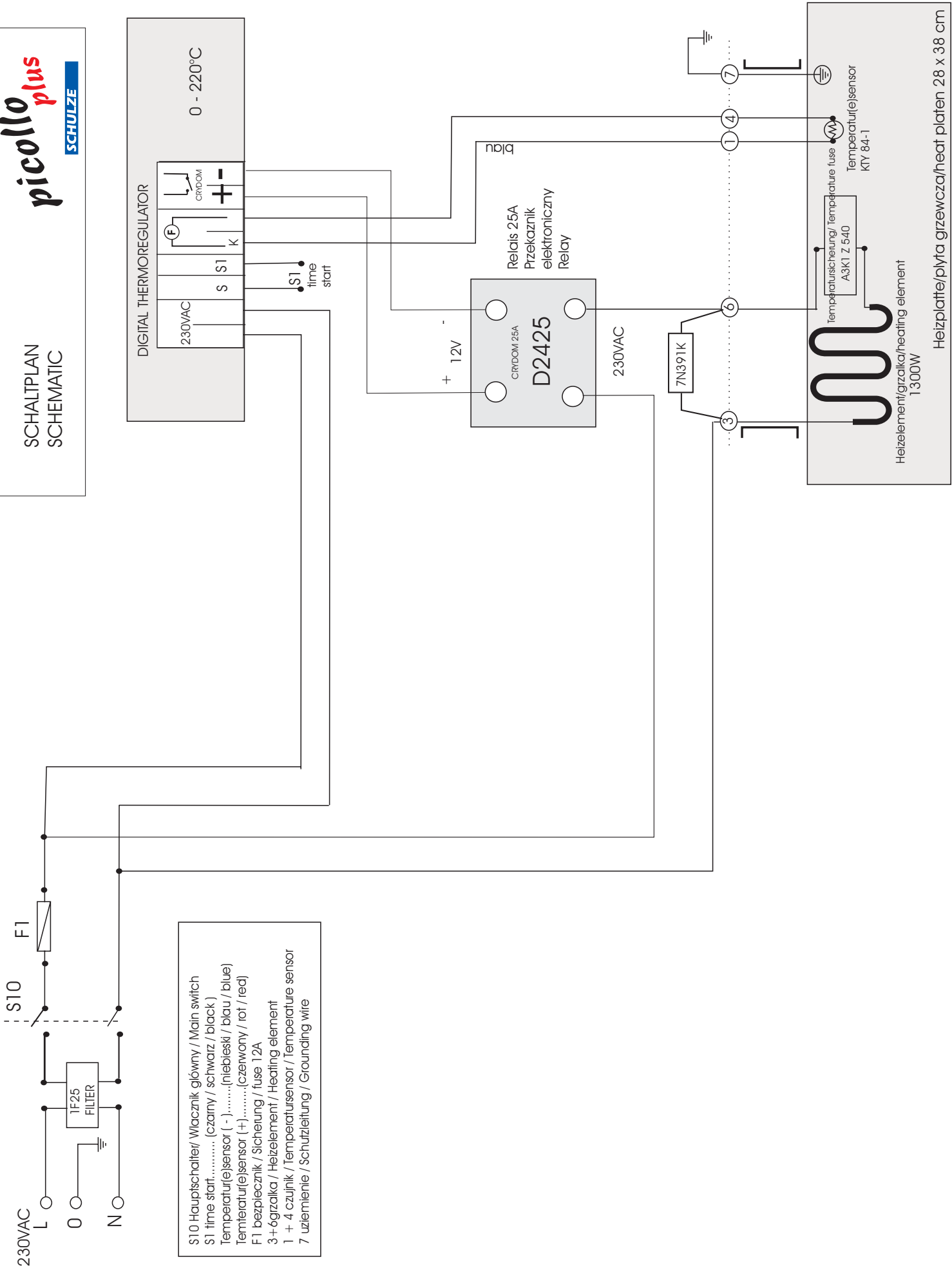
This press is used to apply transfers and transfer foils on textiles. Please get in touch with the manufacturer of the textiles, in order to achieve good results. Some settings:

Foil Flex - 150° - 160° C time 12 sec.
Foil Flex S - 155° - 160° C time 12 sec.
Foil Flock - 150° - 160° C time 15 sec.
Foil Velcut- 150° - 160° C time 15 sec.

All information without engagement. Please arrange own tests before manufacturing.

SCHALTPLAN
SCHEMATIC

piccolo plus
SCHULZE



S10 Hauptschalter/ Włacznik główny / Main switch
 S1 time start..... (czarny / schwarz / black)
 Temperatur(e)sensor (-).....(niebieski / blau / blue)
 Temperatur(e)sensor (+).....(czerwony / rot / red)
 F1 bezpiecznik / Sicherung / fuse 12A
 3+6grzałka / Heizelement / Heating element
 1 + 4 czujnik / Temperatursensor / Temperature sensor
 7 uzziemienie / Schutzleitung / Grounding wire

TESTING REPORT

E

XXL <input type="checkbox"/>	XXLs <input type="checkbox"/>	<i>piccolo</i> plus <input type="checkbox"/>	AirPress <input type="checkbox"/>	<i>Swing S</i> <input type="checkbox"/>	<i>Swing</i> <input type="checkbox"/>
digi-cap <input type="checkbox"/>	VISATO Mug-O-matic <input type="checkbox"/>	VISATO PRESS4050 <input type="checkbox"/>	VISATO CAP <input type="checkbox"/>	_____ <input type="checkbox"/>	

- Base (varnish, greasing of shafts)
- Heat and base platens, symmetry, silicone, teflon
- Electrical connection, grounding wire, power cable
- Electronics, max temperature 220° C, inspection of all functions
- Hours of work at 180 °C
- Temperature tolerance at 180°C - / +°C
- Hours of work at 220°C
- Test with transfer foil
- Warning stickers
- Packaging

Serial number

EC declaration of conformity - According to the EC directive 89/37 EC

The Walter Schulze GmbH
Schmalenbachstr.15
12057 Berlin

hereby declares as European agent for the manufacturer Romanik that the following described machine:

heat press. serial number

accords to the terms of the following EC directives:

- Machine directive (89/37)
- Low voltage directive (72/23)
- EMV-directive (89/336)

Used standards and technical specifications:

- EN 292-1, EN 292-2 "safety of machines"
- EN 60204-1 "electrical equipment of machines"

Berlin

Peter Meidinger
CEO